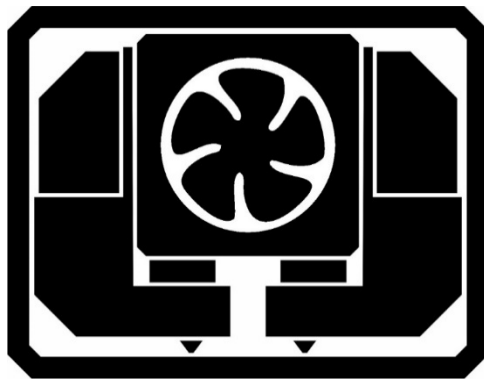


**I M E R G I N E**



**OPUS-200**

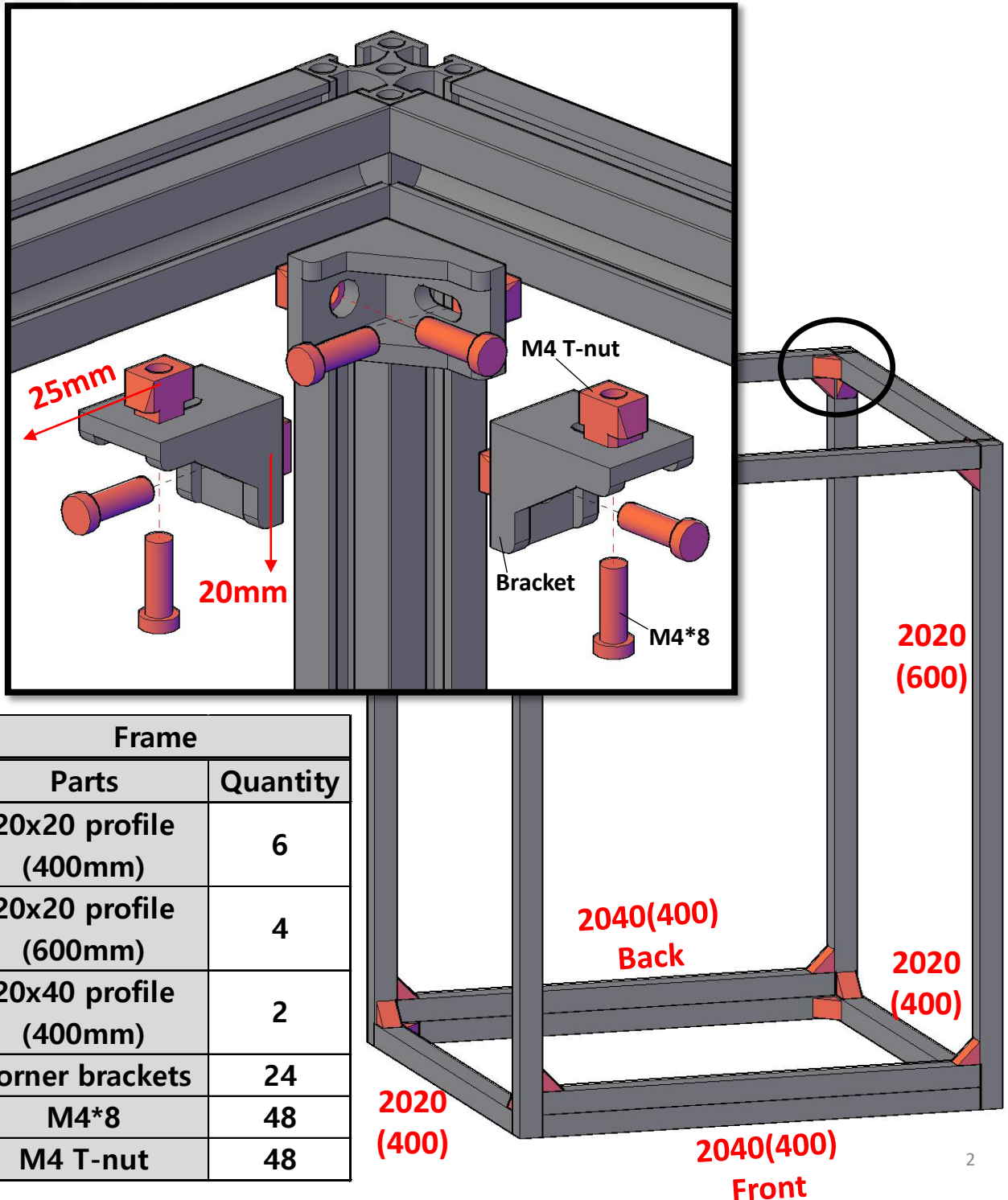
**INSTALLATION GUIDE**



# INSTALLATION GUIDE

## - FRAME

※ Please pay attention to the bracket direction.  
(Horizontal: 25mm, Vertical: 20mm)



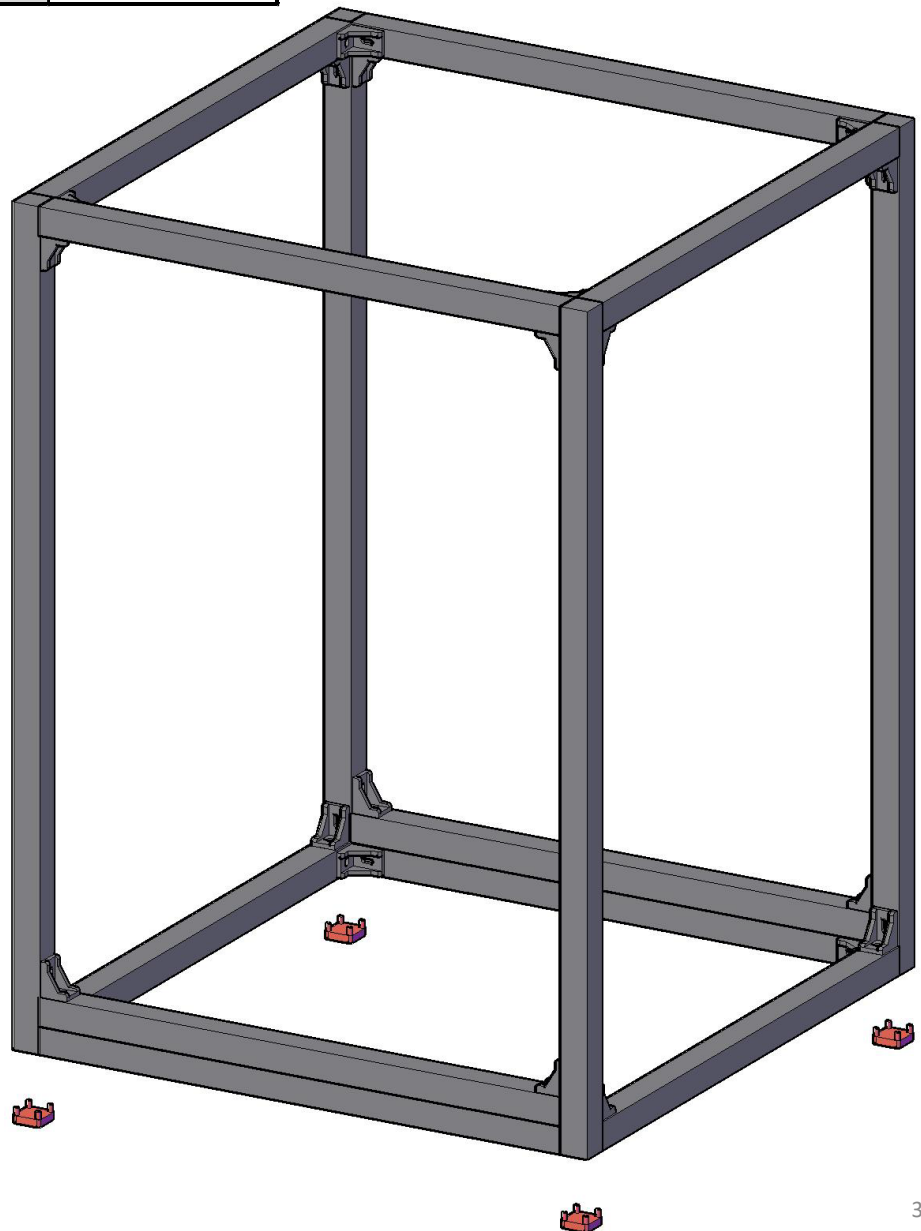
Frame	
Parts	Quantity
20x20 profile (400mm)	6
20x20 profile (600mm)	4
20x40 profile (400mm)	2
Corner brackets	24
M4*8	48
M4 T-nut	48



# INSTALLATION GUIDE

## - FRAME FOOT

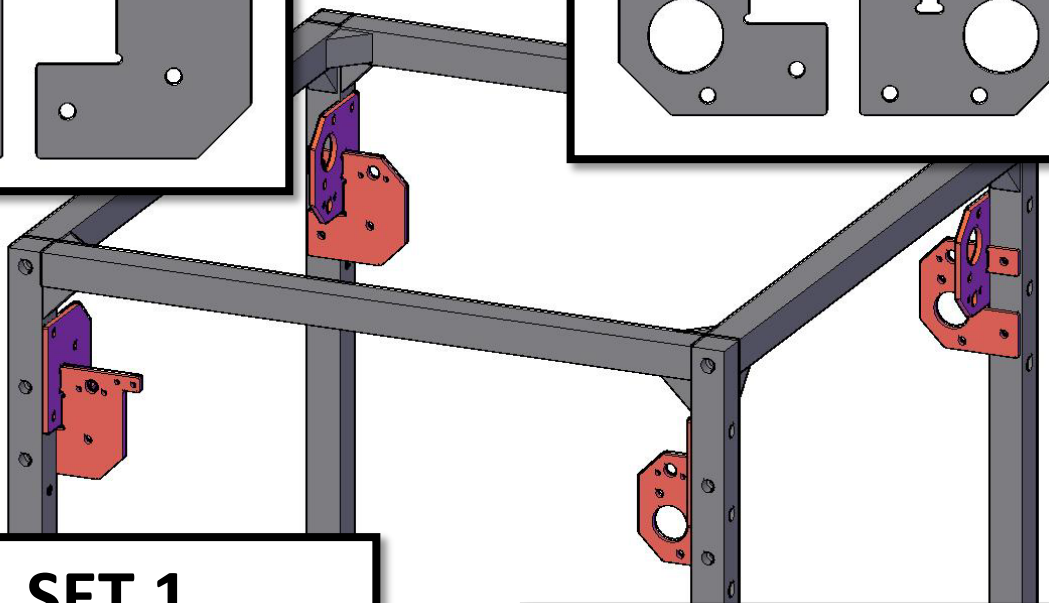
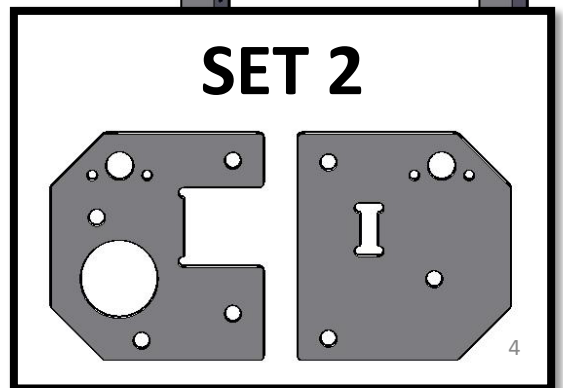
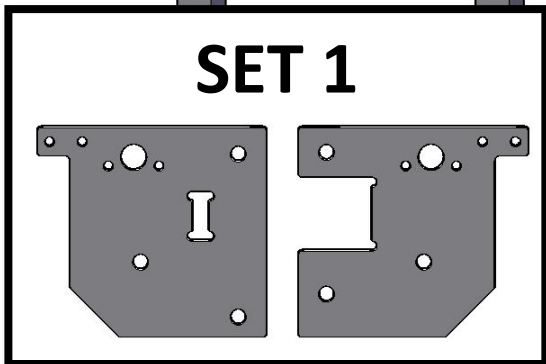
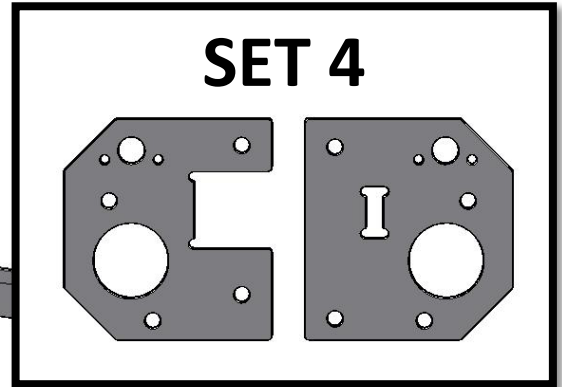
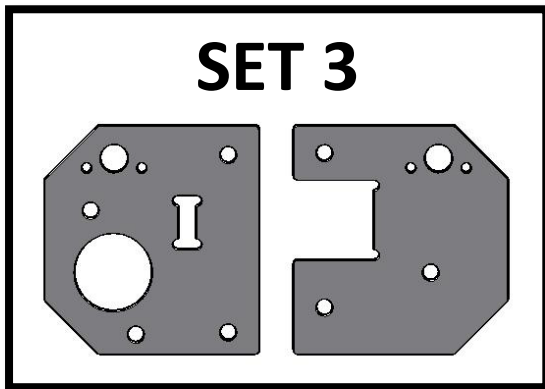
Frame foot	
Parts	Quantity
Frame foot	4





# INSTALLATION GUIDE - X,Y RAIL HOLDER

X, Y rail holder	
Parts	Quantity
Holder	8 pcs / 1set
M5*20	16
M5 nut	16

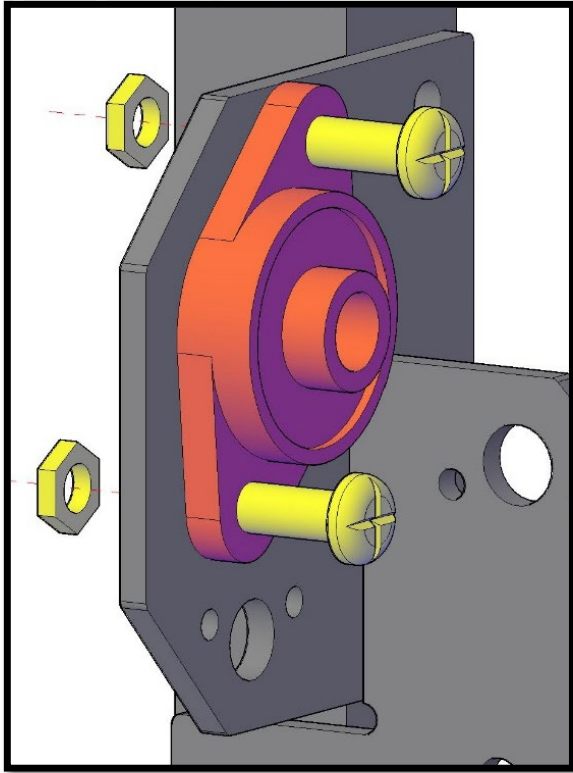




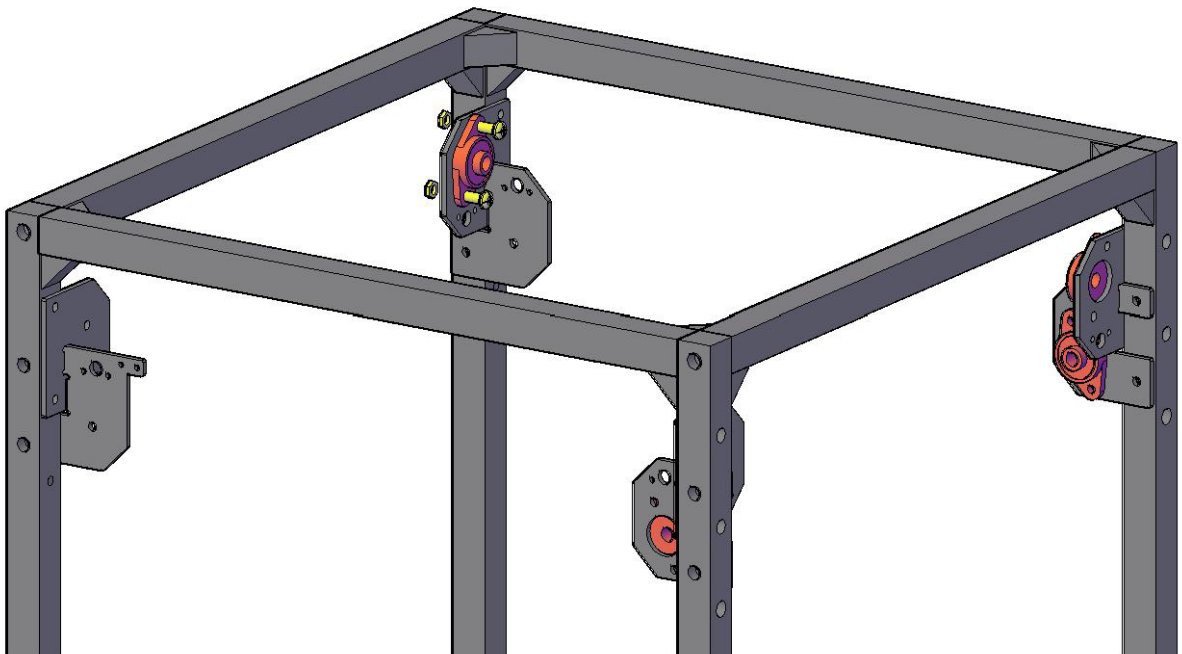


# INSTALLATION GUIDE

## - SHAFT HOLDER (KP08 BEARING)



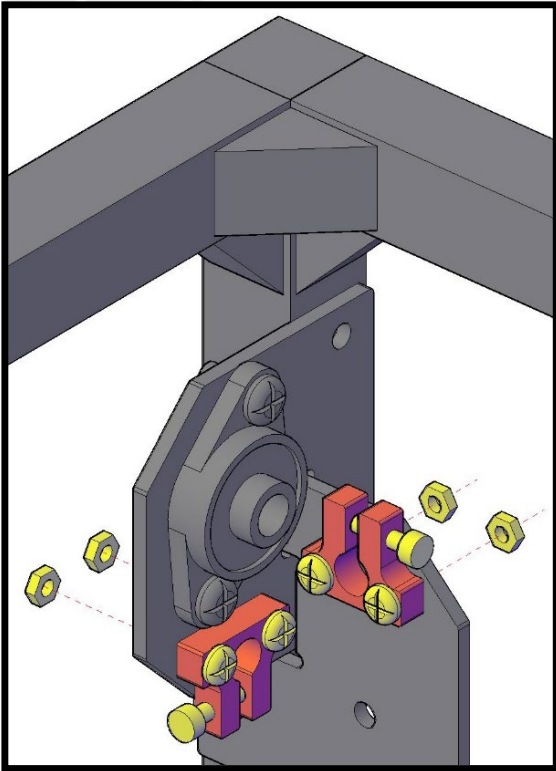
X, Y rail holder	
Parts	Quantity
KP08	4
M5*12	8
M5 nut	8



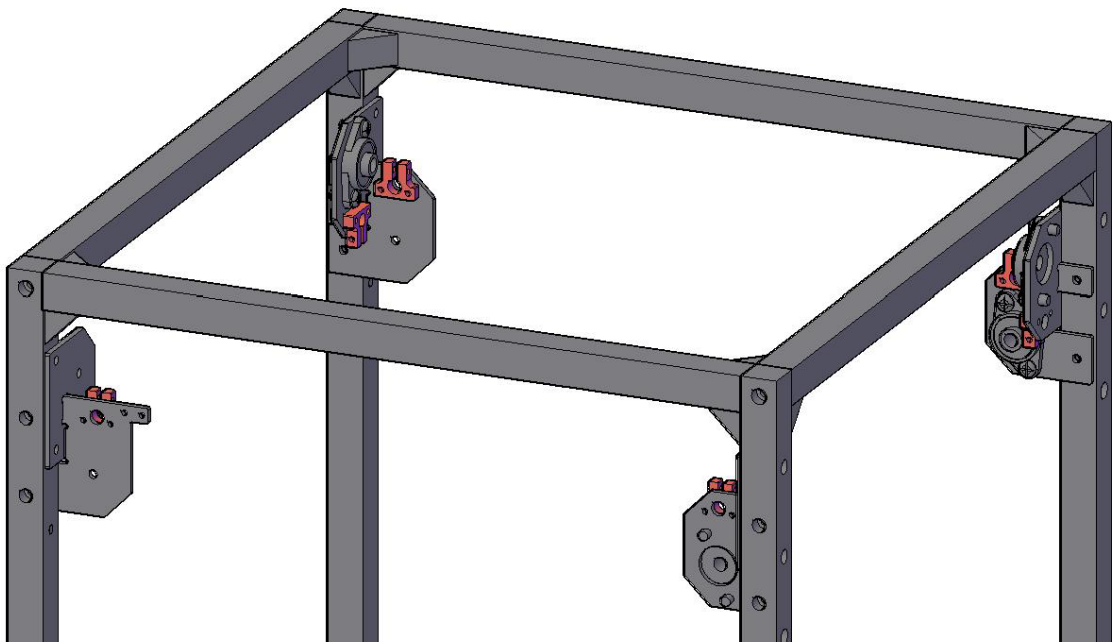


# INSTALLATION GUIDE

## - SHAFT HOLDER (BRACKET)



X, Y rail holder	
Parts	Quantity
8mm bracket	8
M3*12	24
M3 nut	16

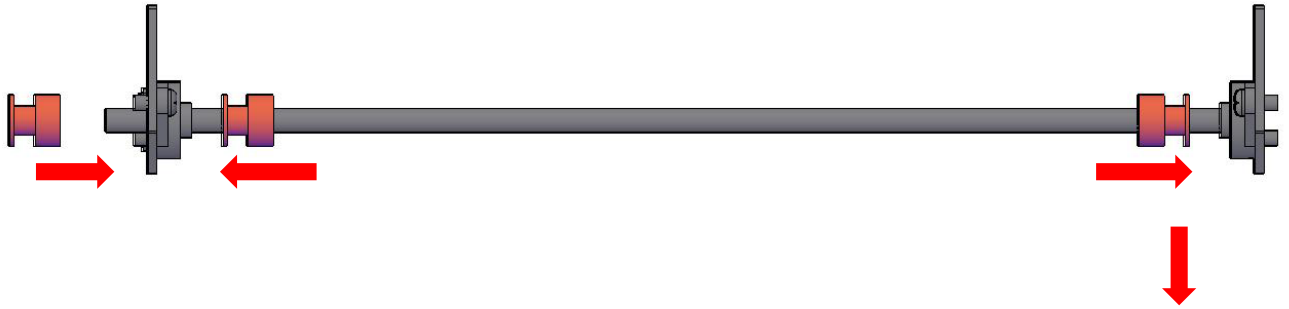




# INSTALLATION GUIDE

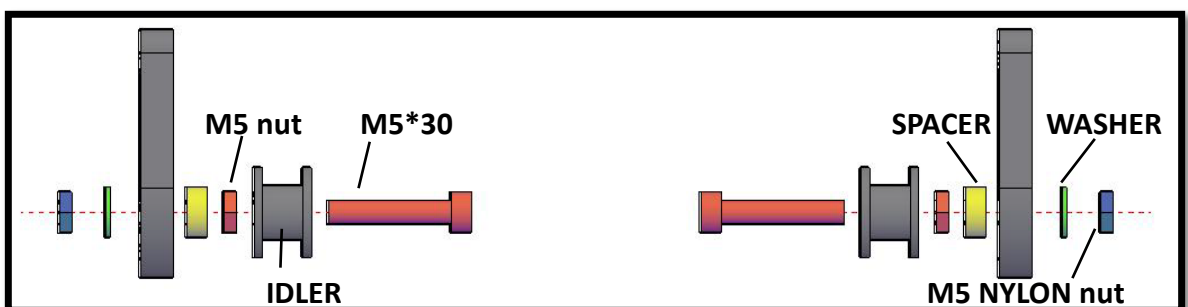
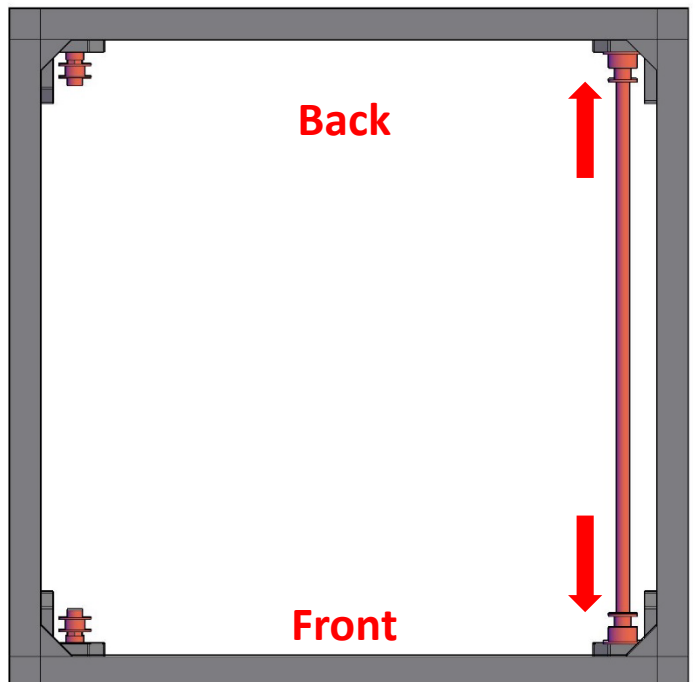
## - X AXIS BELT RAIL

※ Don't screw the bolts on pulleys too hard before belt tension adjustment.



X axis belt rail (Right)	
Parts	Quantity
Guide rod ( 8 t / 415 mm )	1
Pully(8mm)	3

X axis belt rail (Left)	
Parts	Quantity
M5*30 Hex	2
M5 Idler	2
M5 nut	2
M5 Spacer	2
M5 Washer	2
M5 Nylon nut	2





# INSTALLATION GUIDE

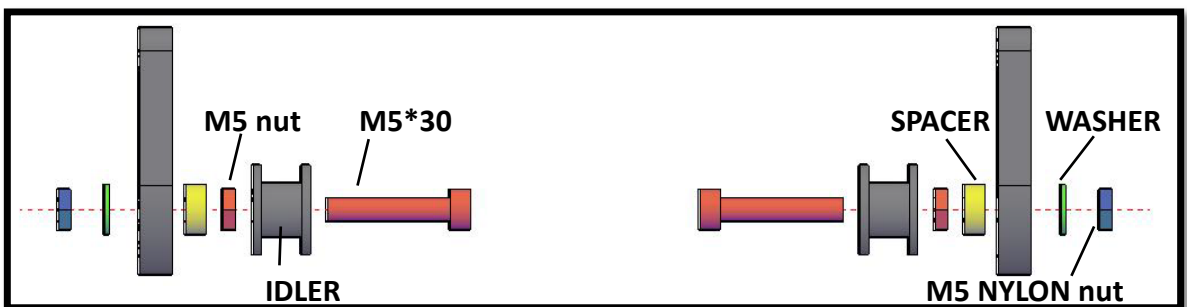
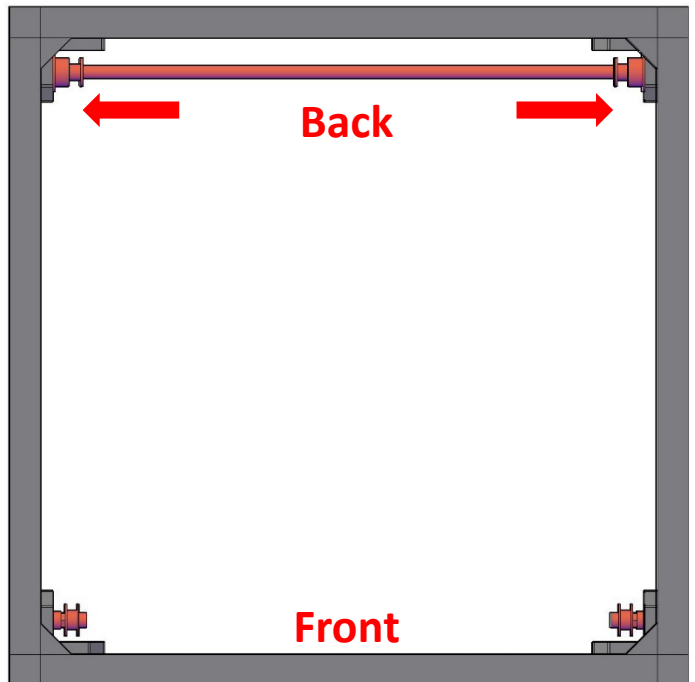
## - Y AXIS BELT RAIL

※ Don't screw the bolts on pulleys too hard before belt tension adjustment.



Y axis belt rail (Back)	
Parts	Quantity
Guide rod ( 8 t / 415 mm )	1
Pully(8mm)	3

Y axis belt rail (Front)	
Parts	Quantity
M5*30 Hex	2
M5 Idler	2
M5 nut	2
M5 Spacer	2
M5 Washer	2
M5 Nylon nut	2

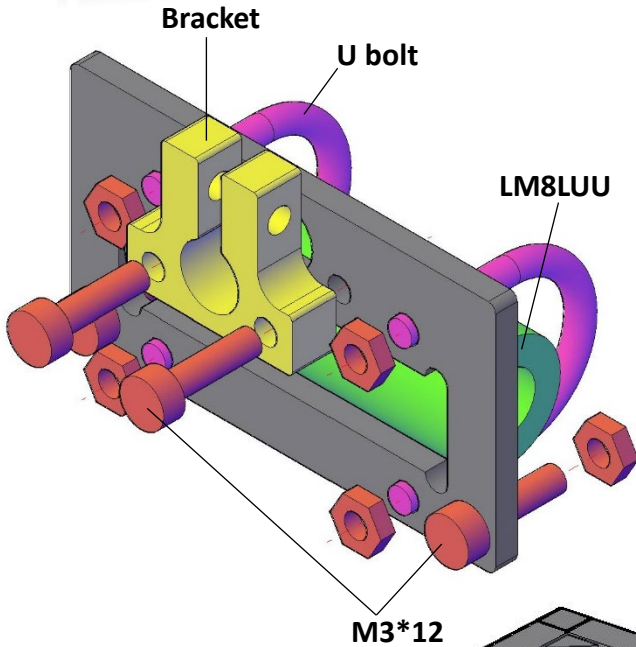




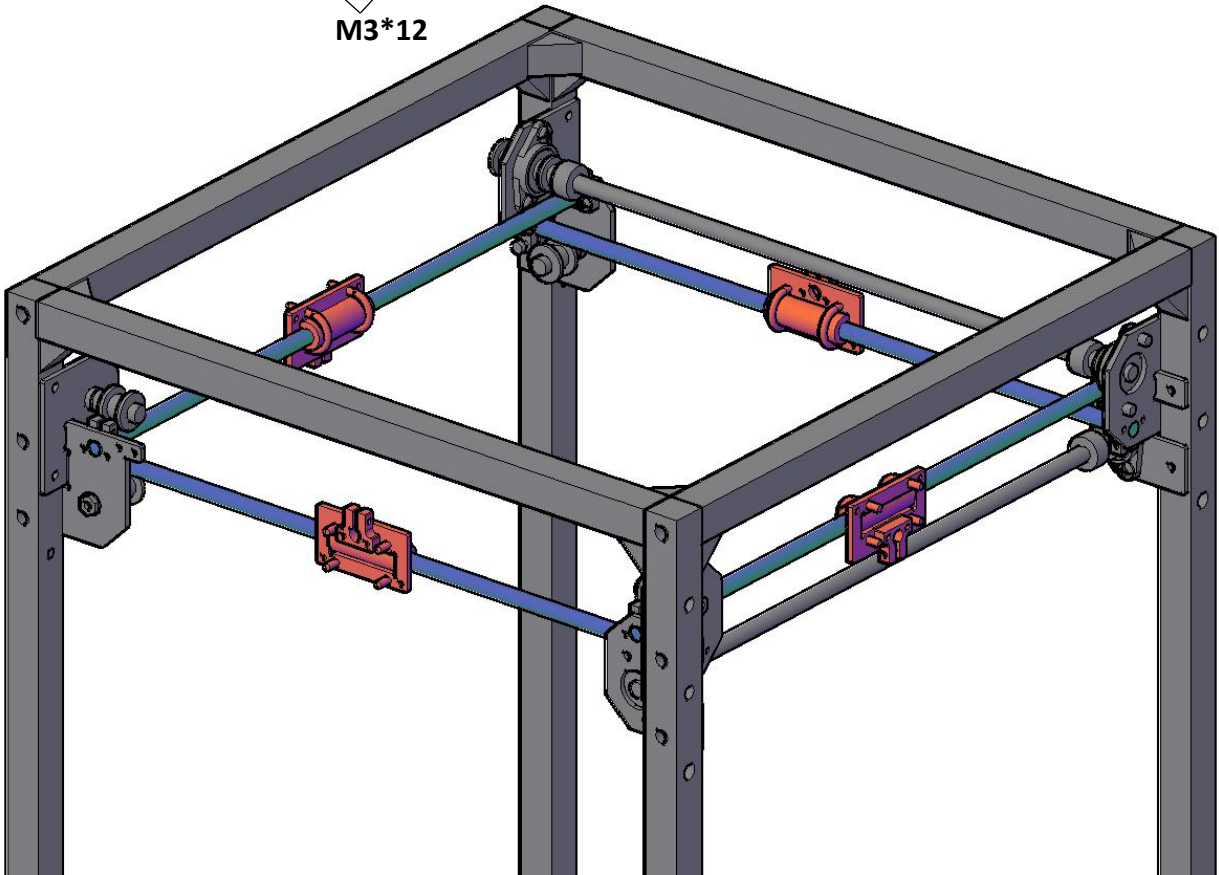
# INSTALLATION GUIDE

## - X, Y AXIS

### MOVEMENT RAIL



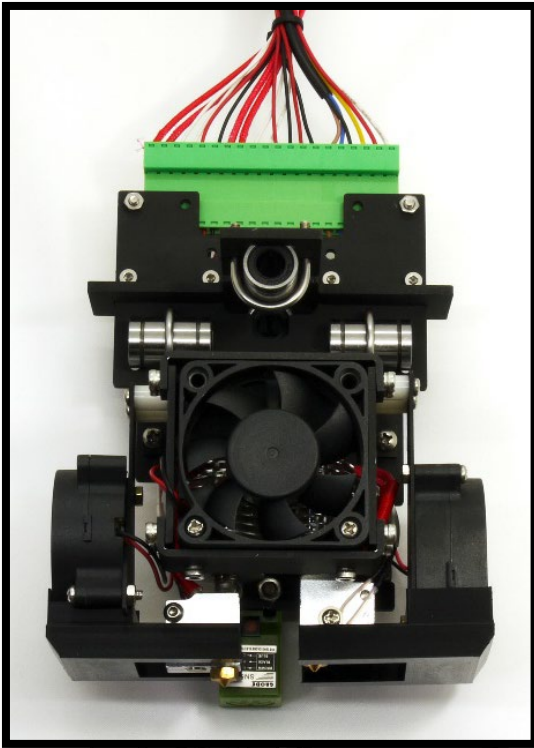
X, Y axis movement rail	
Parts	Quantity
Guide rod (8mm / 400mm)	4
Bushing holder	4
LM8LUU	4
Rod bracket	4
U bolt	8
M3*12	16
M3 nut	32



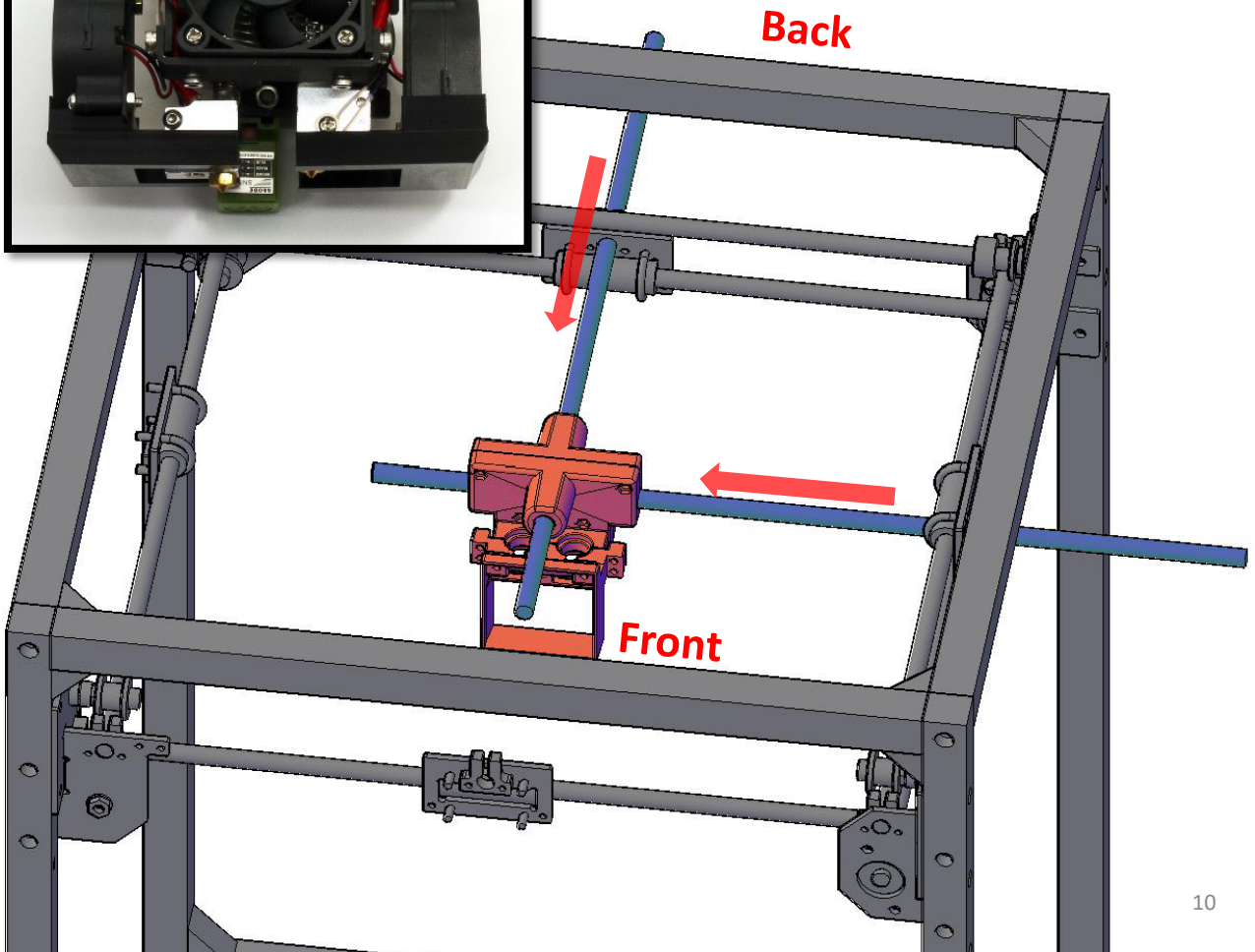


# INSTALLATION GUIDE

## - CENTRAL RAIL



Central rail	
Parts	Quantity
Print-head assembly	1
Steel tube ( 8 mm / 400 mm )	2
M3*12	4



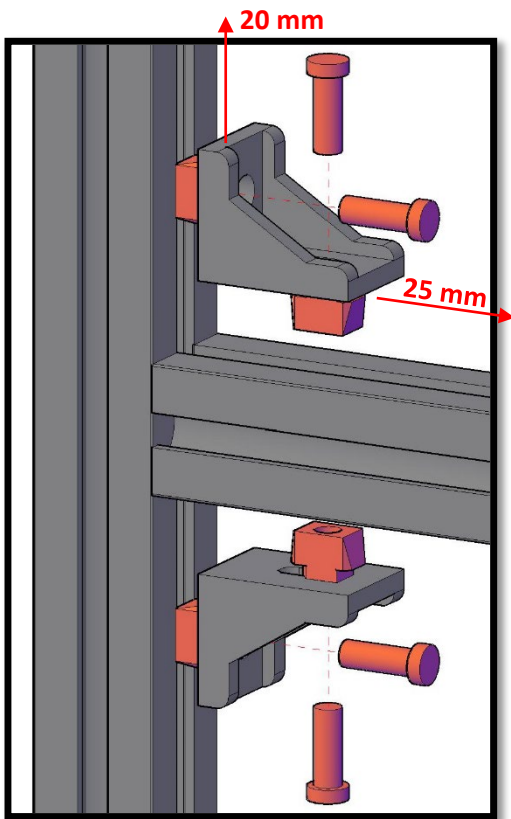




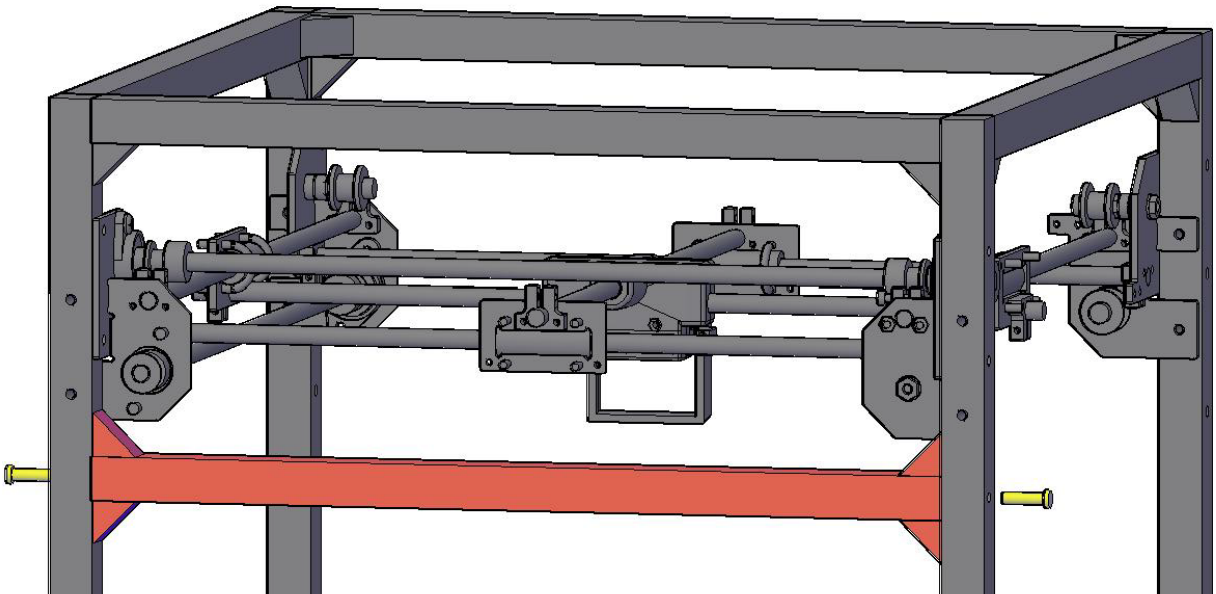
# INSTALLATION GUIDE

## - BACK FRAME

※ Please pay attention to the bracket direction.  
(Horizontal: 25mm, Vertical: 20mm)



Back frame	
Parts	Quantity
20x20 profile (400mm)	1
M5*20	2
Corner brackets	4
M4*8	8
M4 T-nut	8

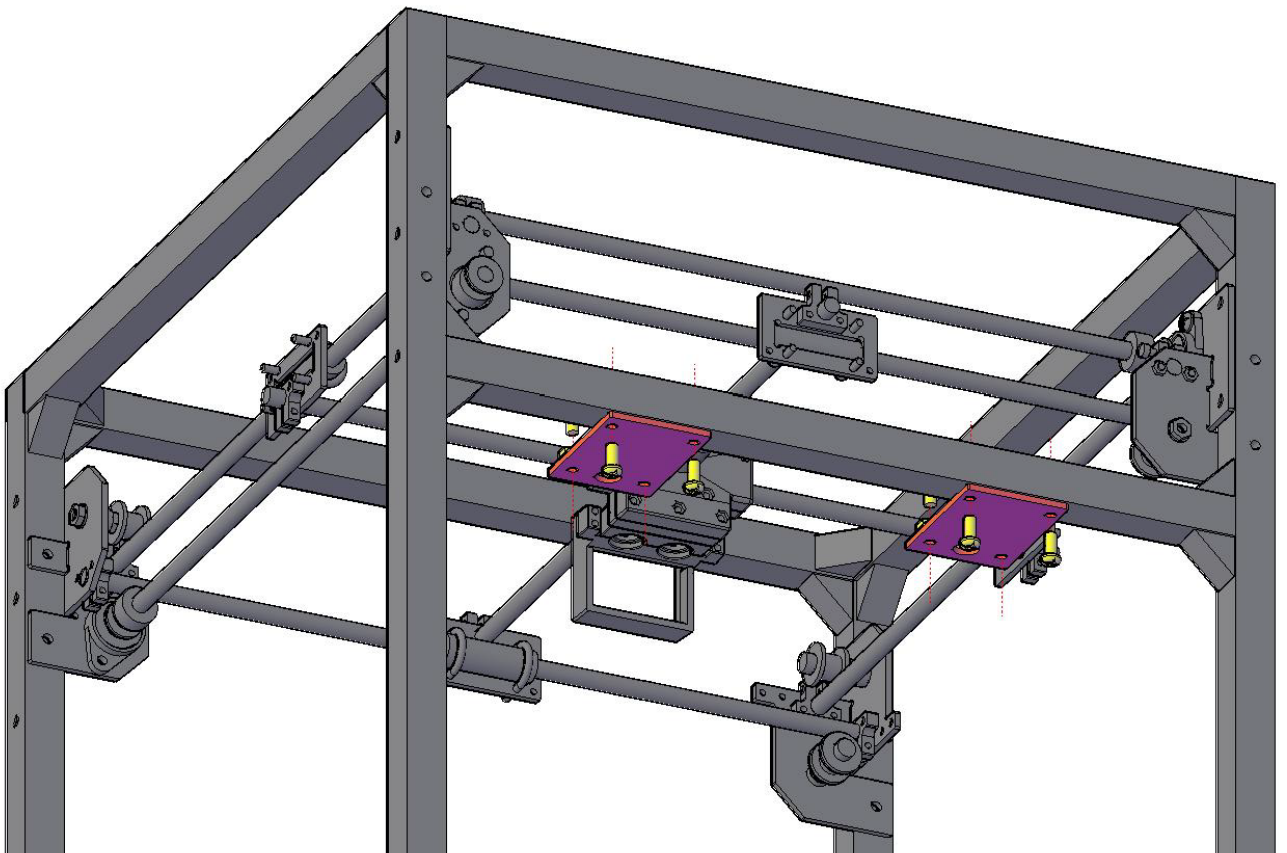
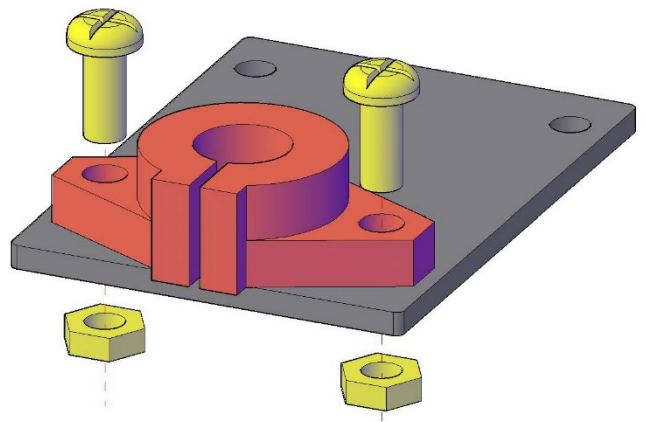




# INSTALLATION GUIDE

## - Z-AXIS TOP-PLATE

Z-axis top holder	
Parts	Quantity
Z-axis top holder	2
Rod holder(12mm)	2
M5*16	4
M5 nut	4
M5*20	4
M5 nut	4





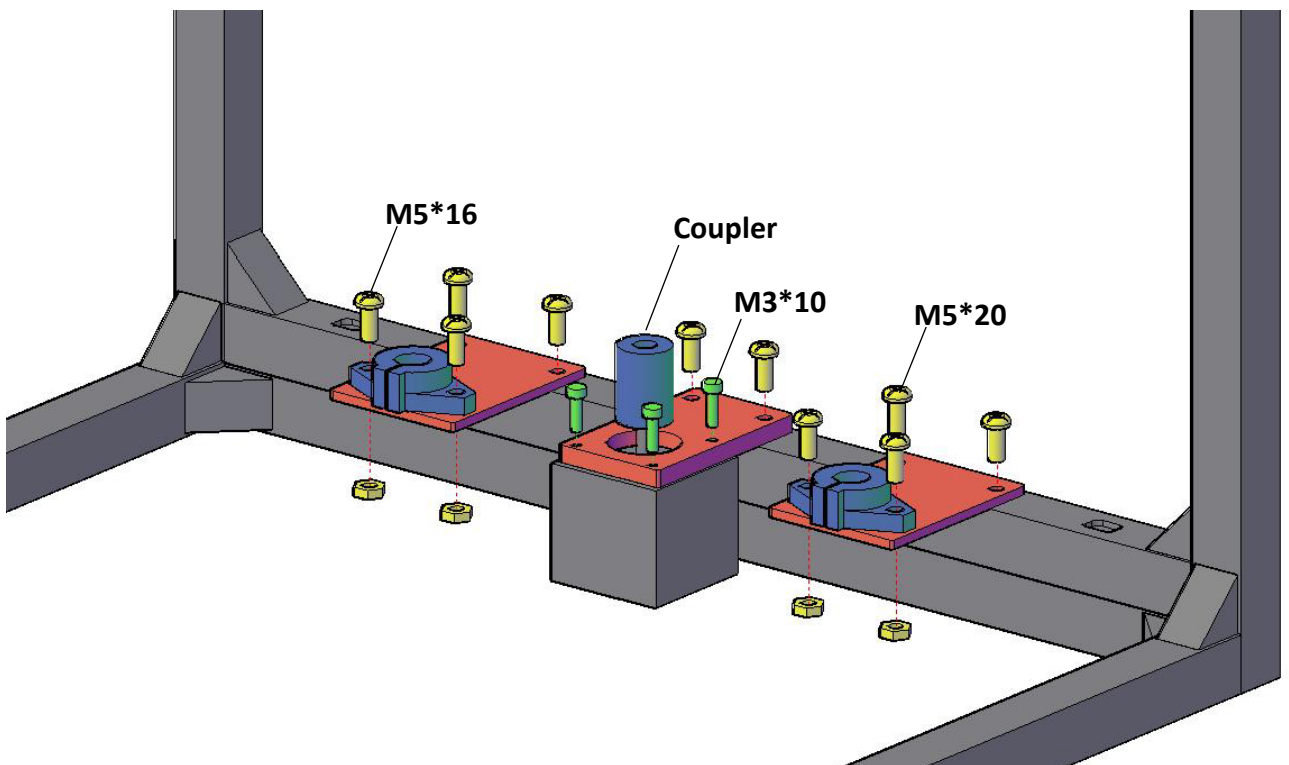


# INSTALLATION GUIDE

## - Z-AXIS DOWN-PLATE

Z-axis bottom holder	
Parts	Quantity
Z-axis bottom holder	2
Rod holder(12mm)	2
M5*16	4
M5 nut	4
M5*20	4
M5 nut	4

Z-axis motor holder	
Parts	Quantity
Z-axis motor holder	1
Z-axis motor	1
Z-axis coupler	1
M3*10	4
M5*20	2
M5 nut	2

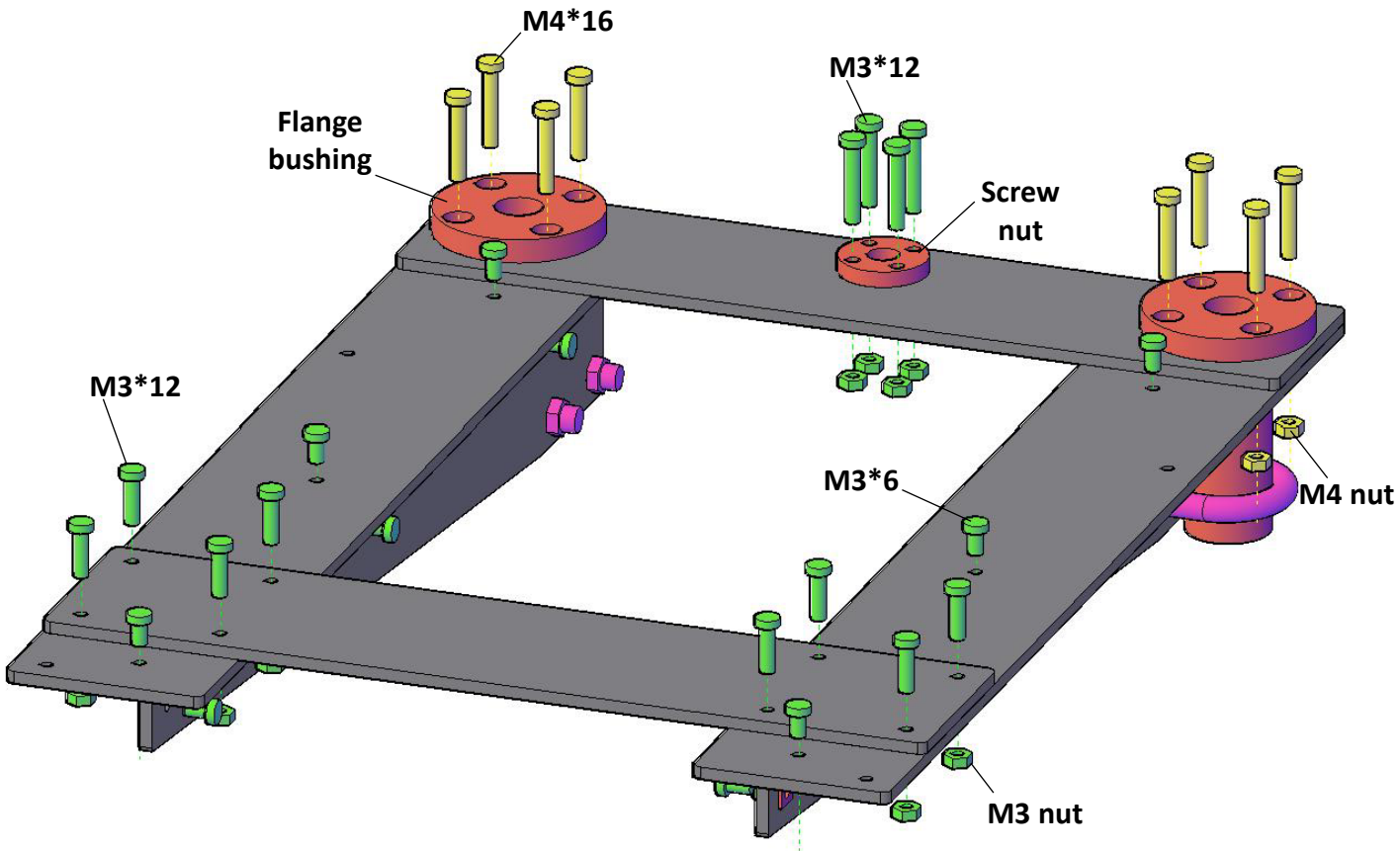




# INSTALLATION GUIDE

## - BED SUPPORT

Bed support					
Parts	Quantity	Parts	Quantity	Parts	Quantity
Bed support	1 set	Flange bushing	2	Screw nut	1
90° Bracket	6	M4*16	8	M3*12	4
M3*6	12	M4 nut	8	M3 nut	4
M3*12	8	U-bolt	2		
M3 nut	8	M6 nut	4		

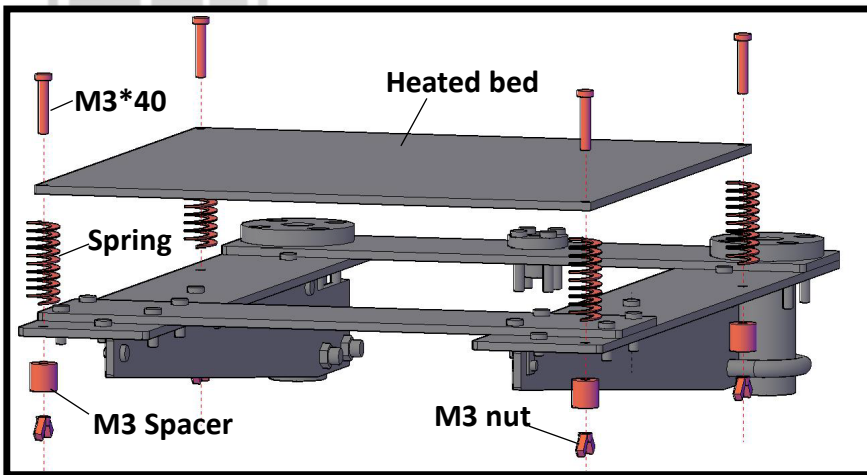




# INSTALLATION GUIDE

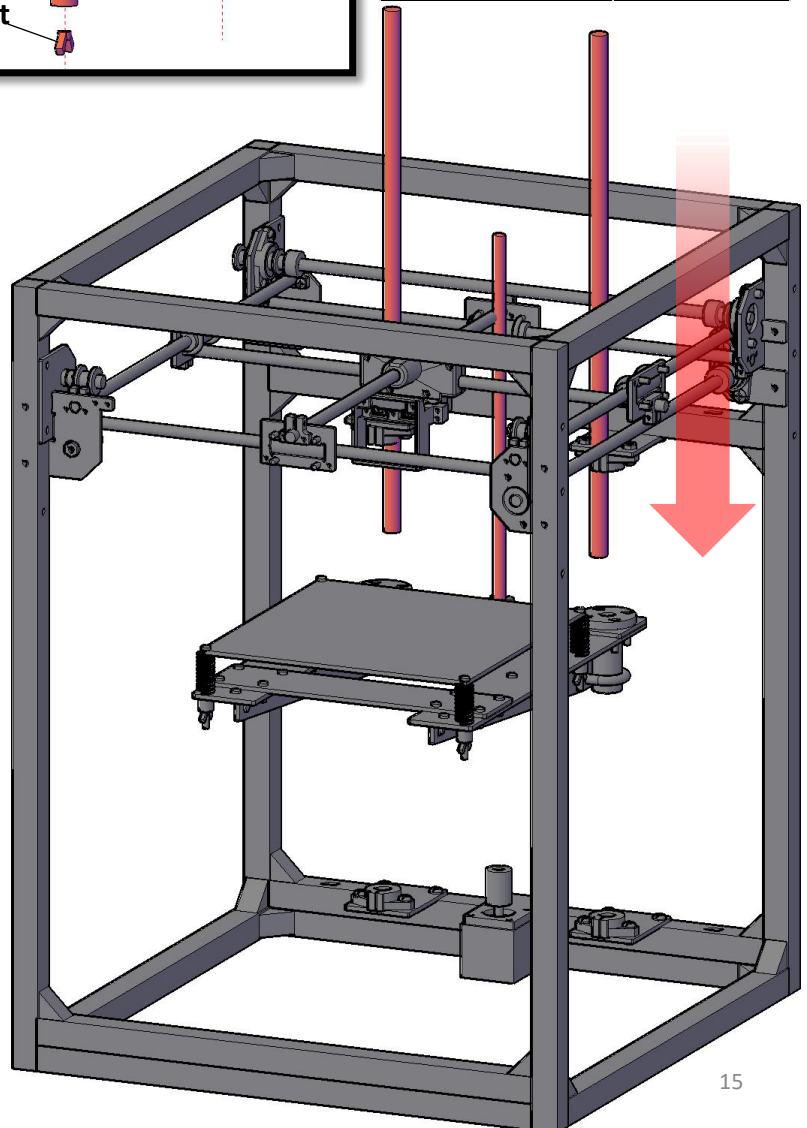
## - HEATED BED

## - Z-AXIS MOVEMENT RAIL



Heated bed	
Parts	Quantity
Heated bed	1
M3*40	4
Bed spring	4
M3 Spacer (10mm)	4
Butterfly nut	4

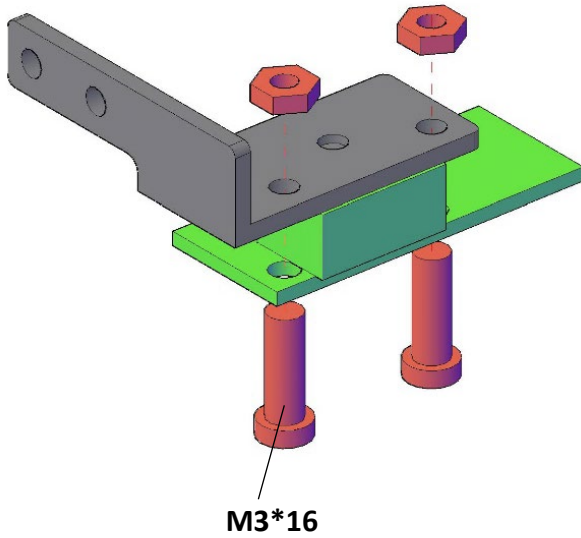
Z-axis movement rail	
Parts	Quantity
Guide rod (12 t / 400 mm)	2
Lead screw	1



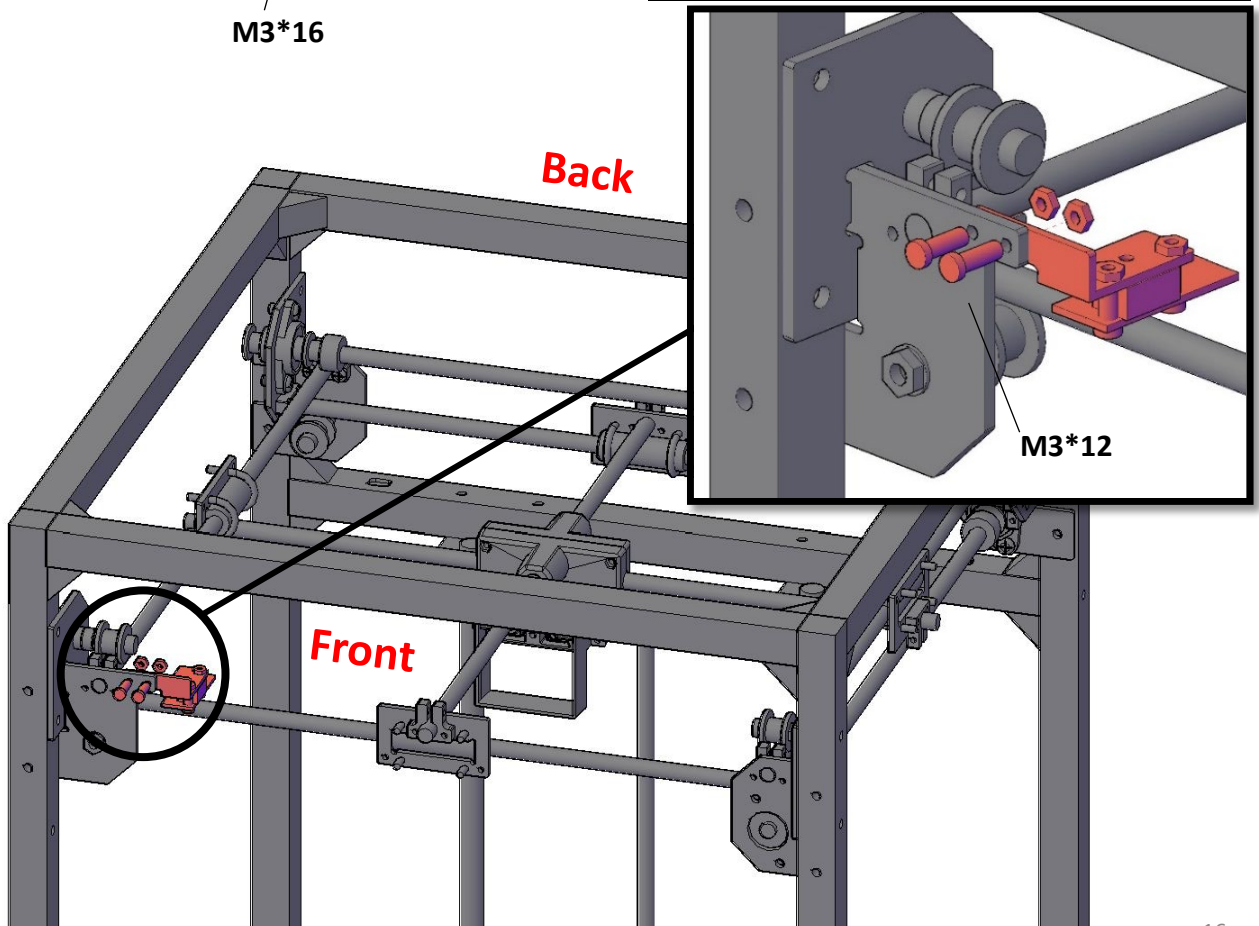


# INSTALLATION GUIDE

## - X-AXIS ENDSTOP SWITCH



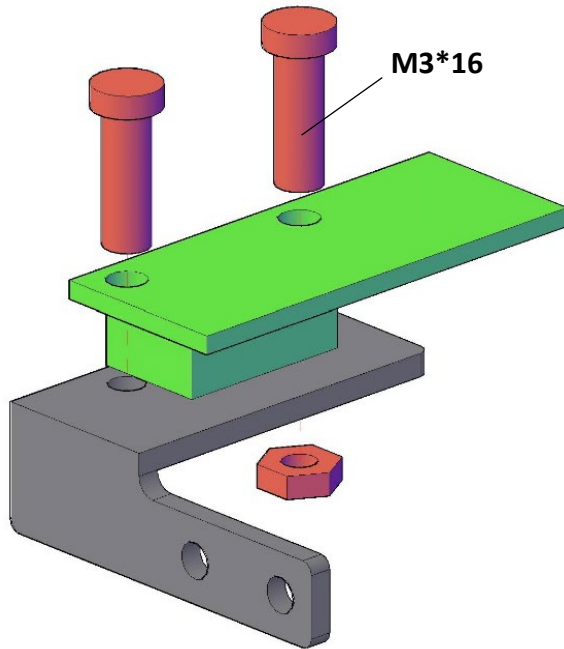
X-axis endstop switch	
Parts	Quantity
Endstop holder (X axis)	1
Endstop switch	1
M3*16	2
M3 nut	2
M3*12	2
M3 nut	2



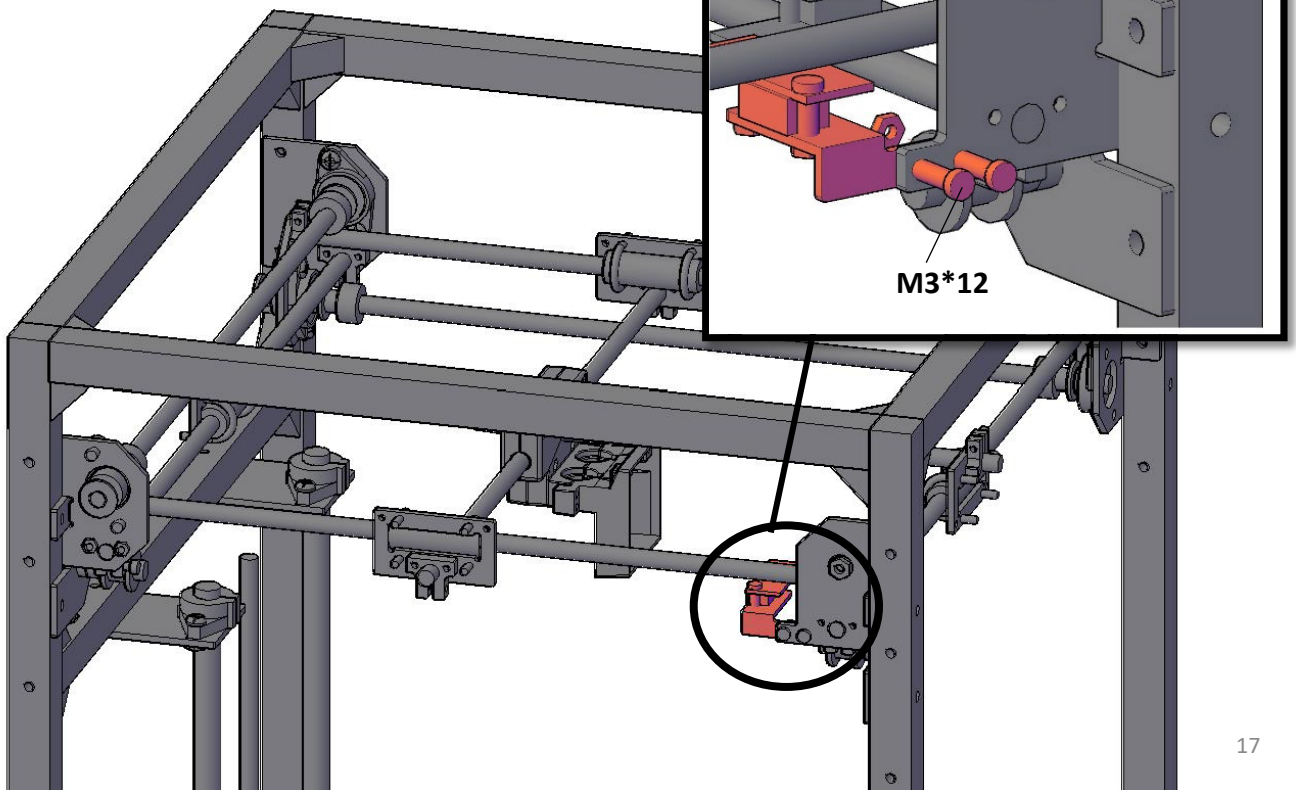


# INSTALLATION GUIDE

## - Y-AXIS ENDSTOP SWITCH



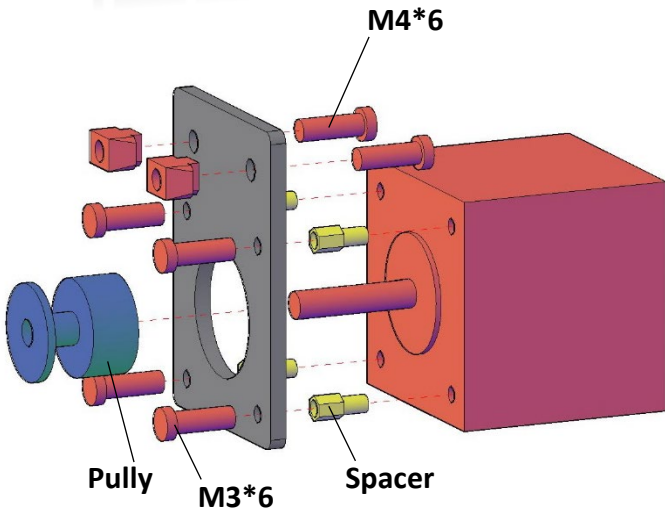
Y-axis endstop switch	
Parts	Quantity
Endstop holder (Y axis)	1
Endstop switch	1
M3*16	2
M3 nut	2
M3*12	2
M3 nut	2



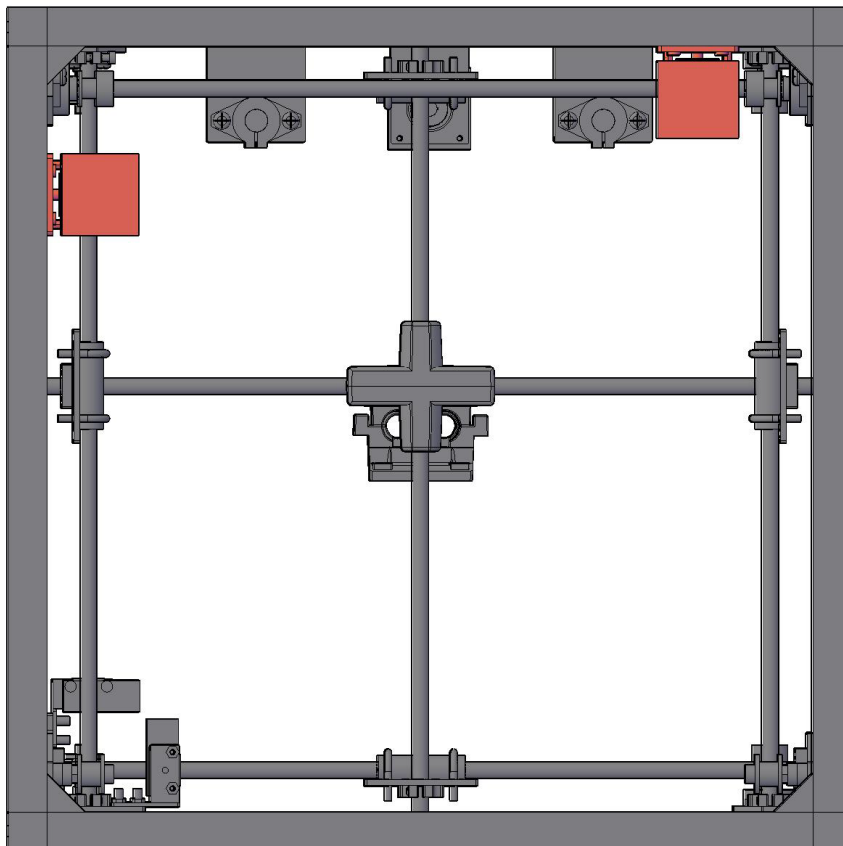


# INSTALLATION GUIDE

## - X, Y-AXIS MOVEMENT MOTOR



X,Y-axis movement motor	
Parts	Quantity
Motor mount	2
Nema17 (40mm)	2
Spacer	8
M3*6	8
Pully(5mm)	2
M4*6	4
M4 T-nut	4



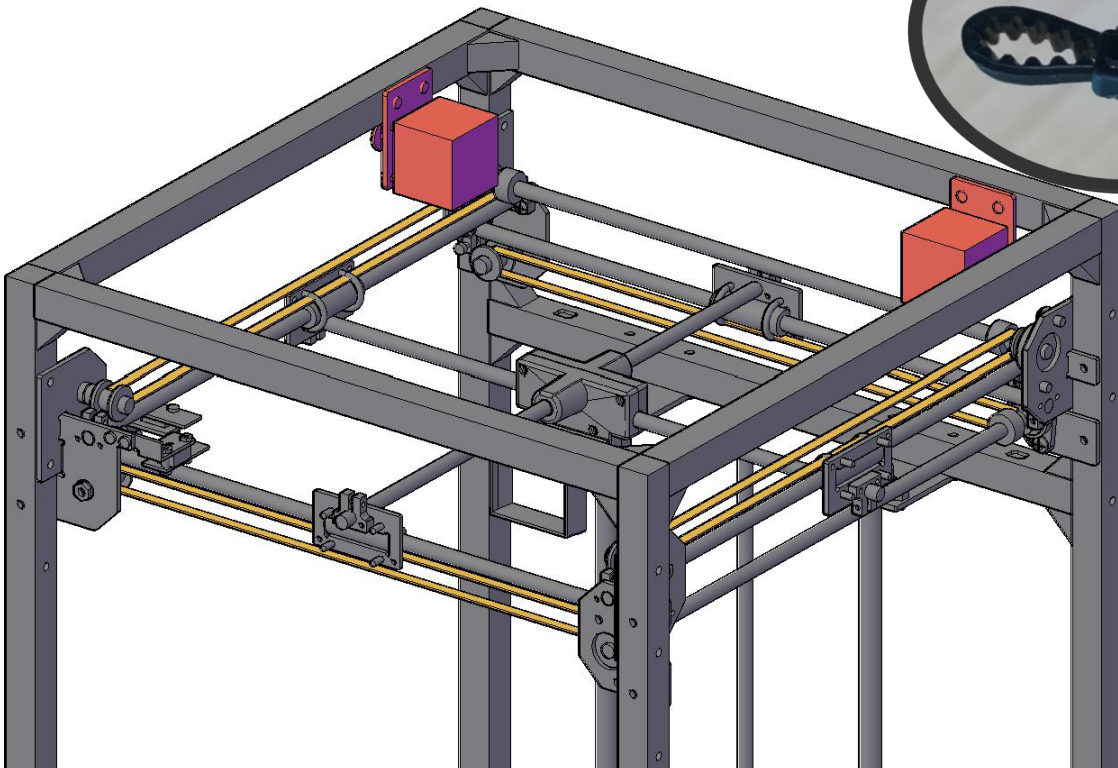
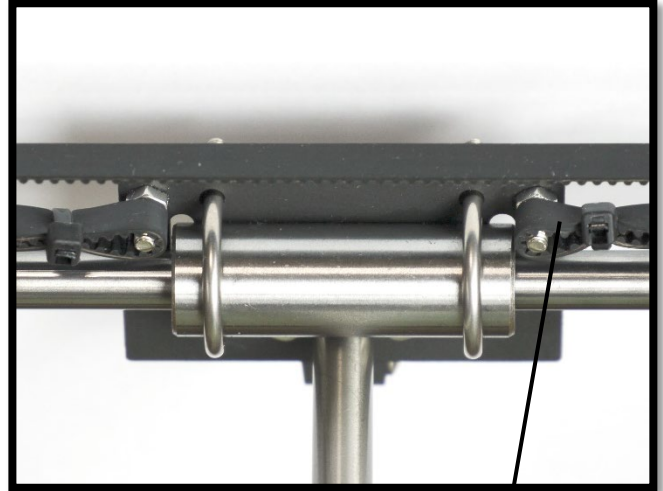




# INSTALLATION GUIDE - TIMING BELT

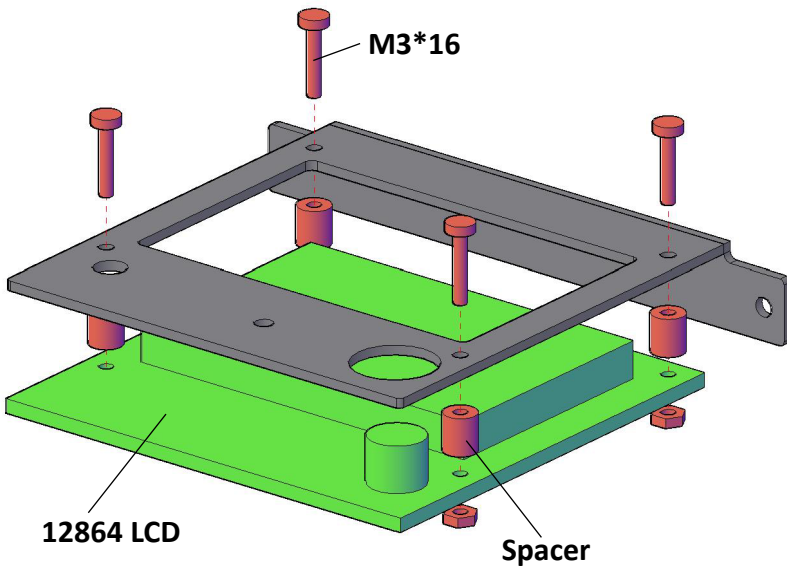
※ Please adjust the belt tension properly.

Timing belt	
Parts	Quantity
X-axis belt	2
Y-axis belt	2
Cable ties	8
X-axis motor Loop belt	1
Y-axis motor Loop belt	1

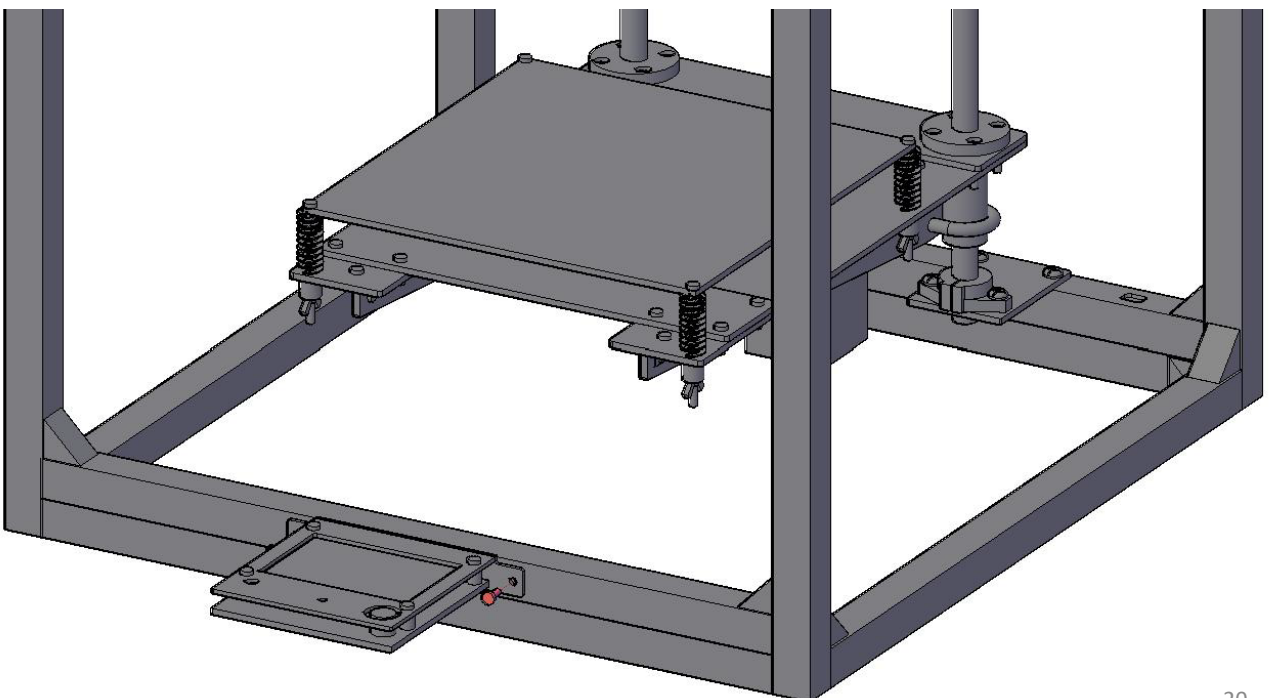




# INSTALLATION GUIDE - LCD



LCD	
Parts	Quantity
LCD holder	1
12864 LCD	1
M3*16	4
M3 nut	4
M3 Spacer (10mm)	4
M4*6	2
M4 T-nut	2



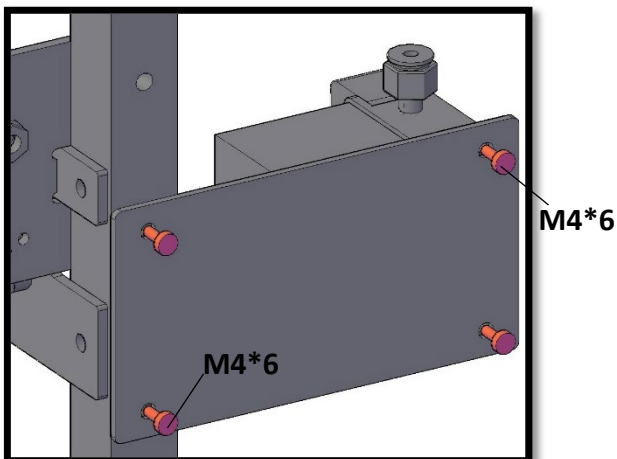
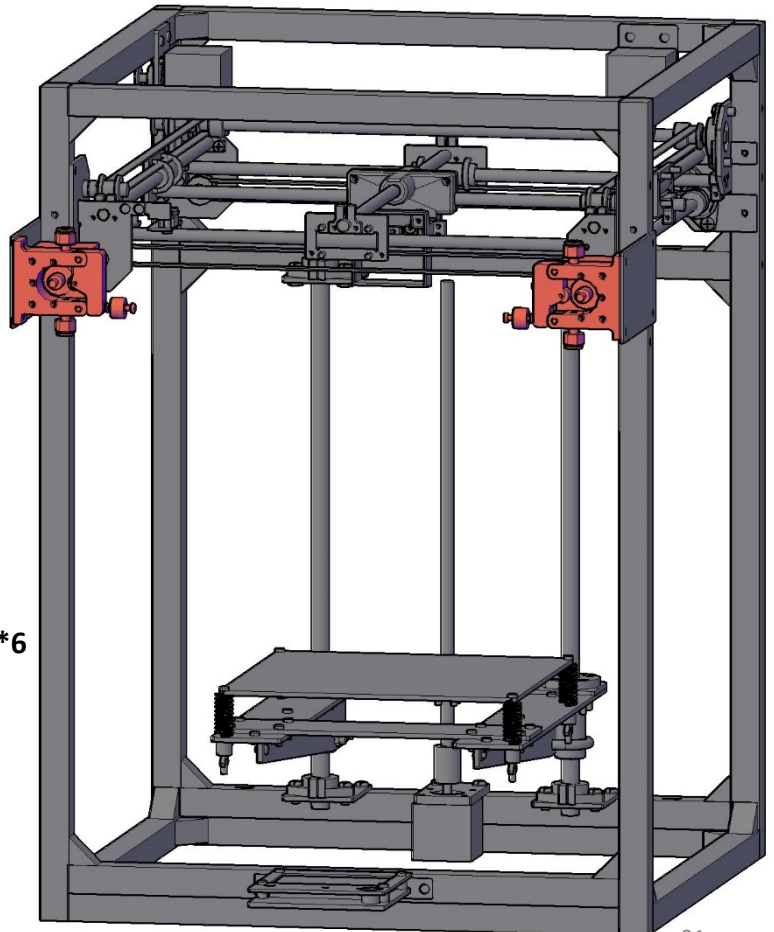
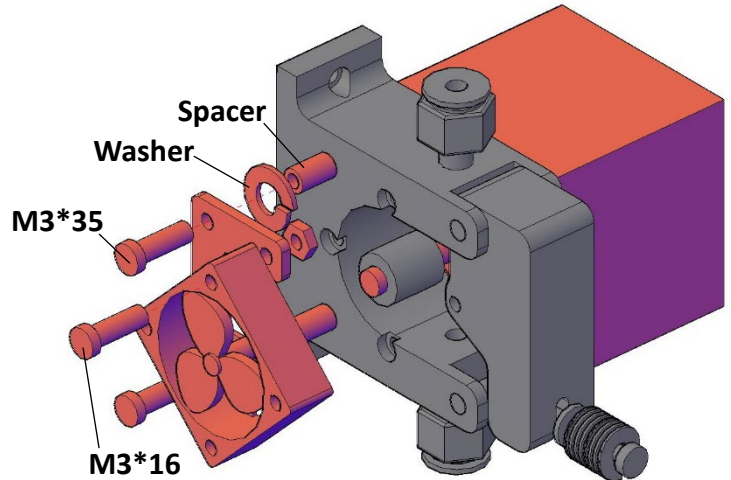




# INSTALLATION GUIDE - EXTRUDER MOTOR

※ Pay attention to the extruder direction.

Extruder motor	
Parts	Quantity
Extruder set	2
Nema17 motor	2
Spacer	4
Washer	4
Fan holder	2
Fan	2
M3*16	2
M3*35	4
M3 nut	2
M4*6	8
M4 T-nut	8

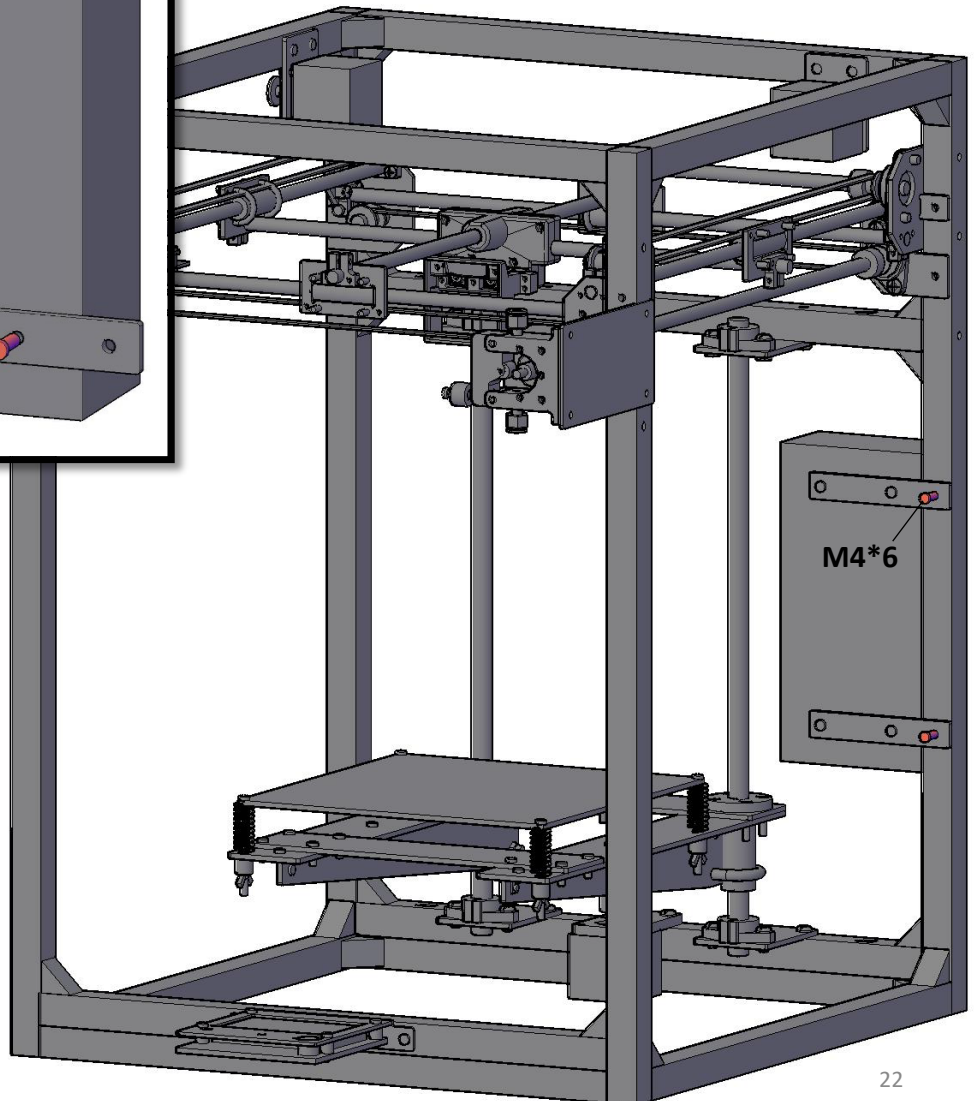
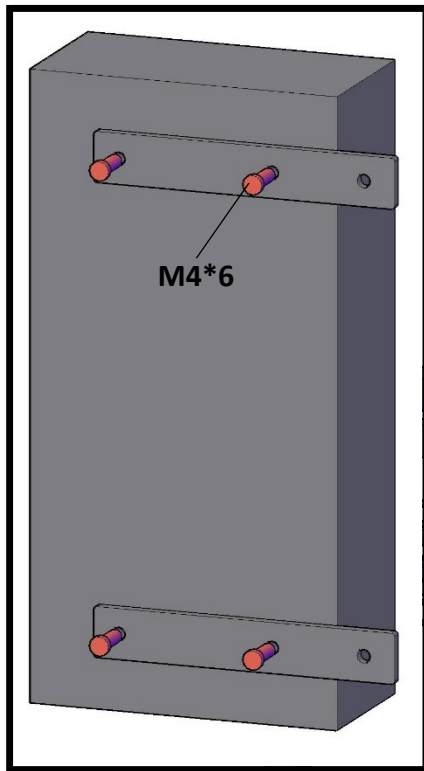




# INSTALLATION GUIDE

## - POWER

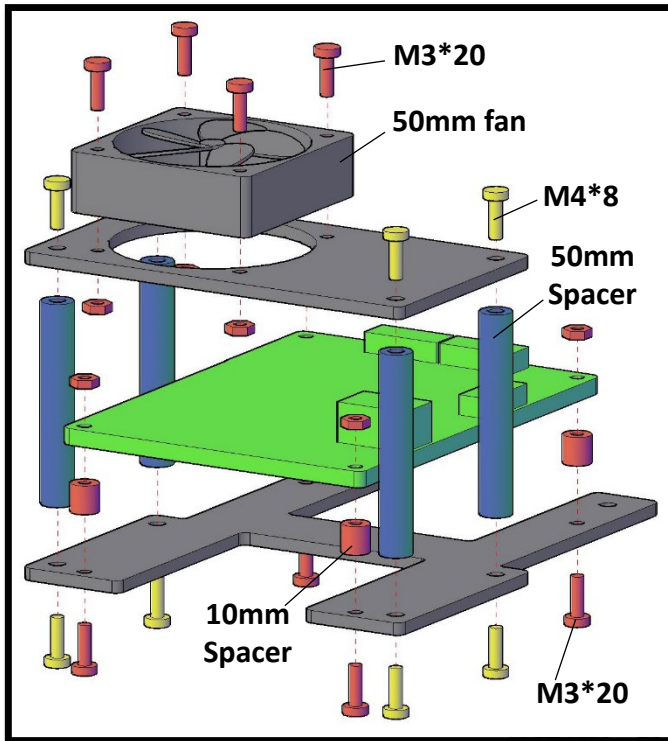
Power	
Parts	Quantity
Power holder	2
Power	1
M4*6	4
M4*6	2
M4 T-nut	2



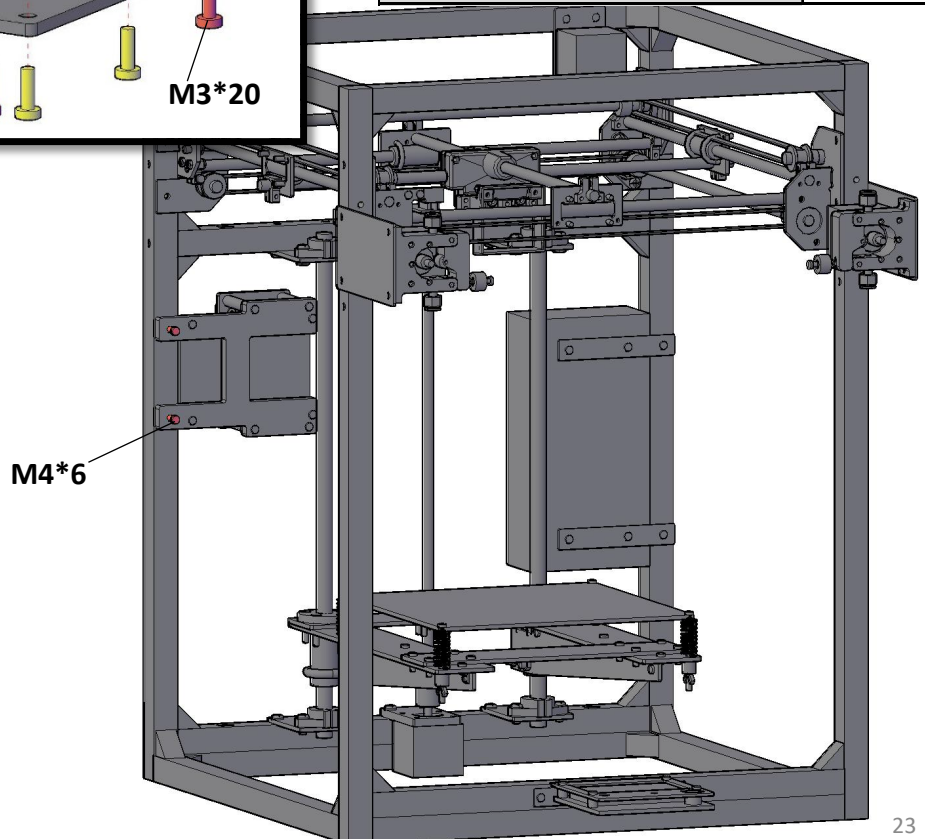


# INSTALLATION GUIDE

## - CONTROLLER BOARD



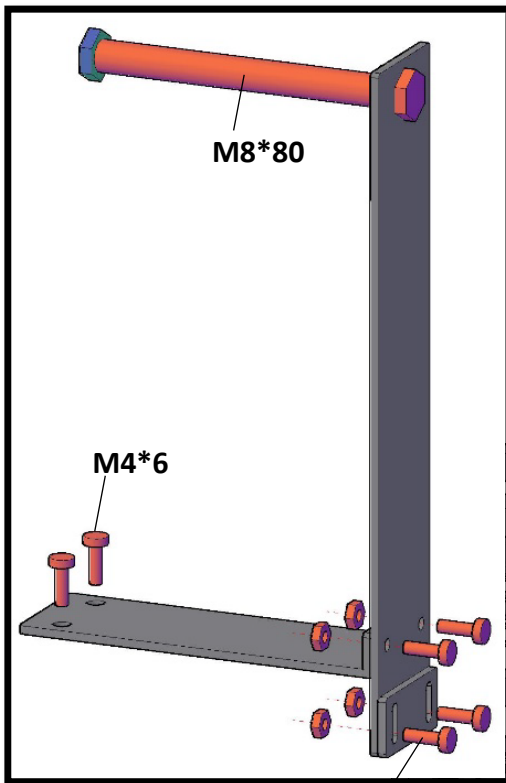
Controller Board	
Parts	Quantity
Controller Board	1
50mm fan	1
Board holder	1
Fan holder	1
M3*20	8
M3 nut	8
M4*8	8
M3 spacer (10 mm)	4
M4 spacer (50 mm)	4
M4*6	2
M4 T-nut	2





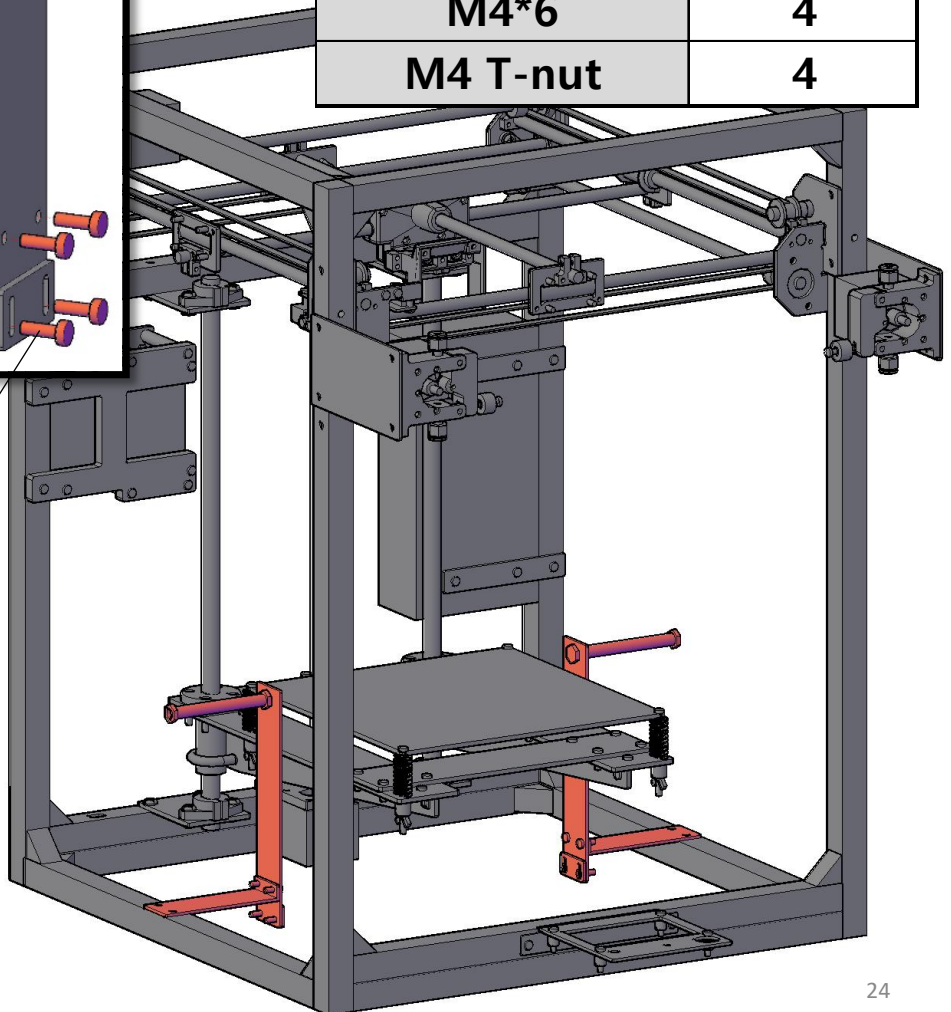
# INSTALLATION GUIDE

## - SPOOL HOLDER



Spool holder	
Parts	Quantity
Spool holder	2 set
M3*8	8
M3 nut	8
M8*80	2
M8 nut	4
M4*6	4
M4 T-nut	4

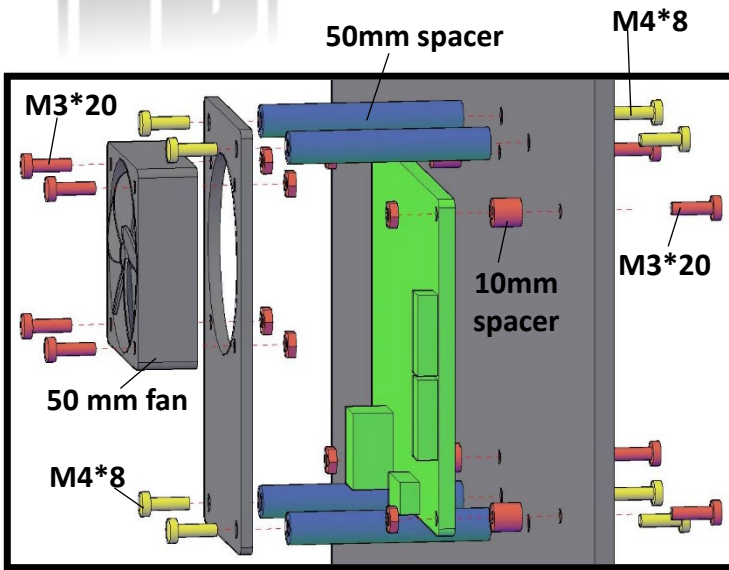
M3\*8



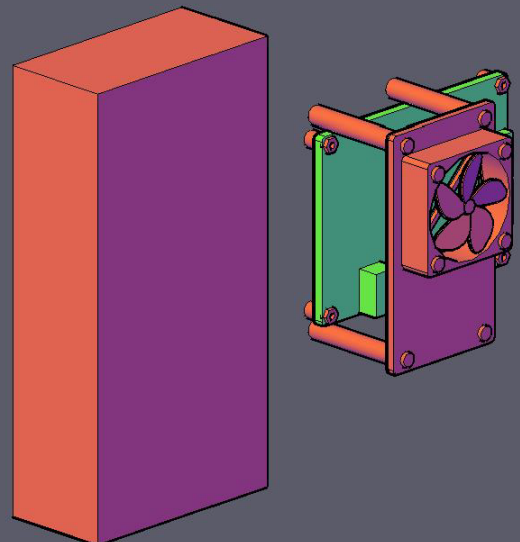
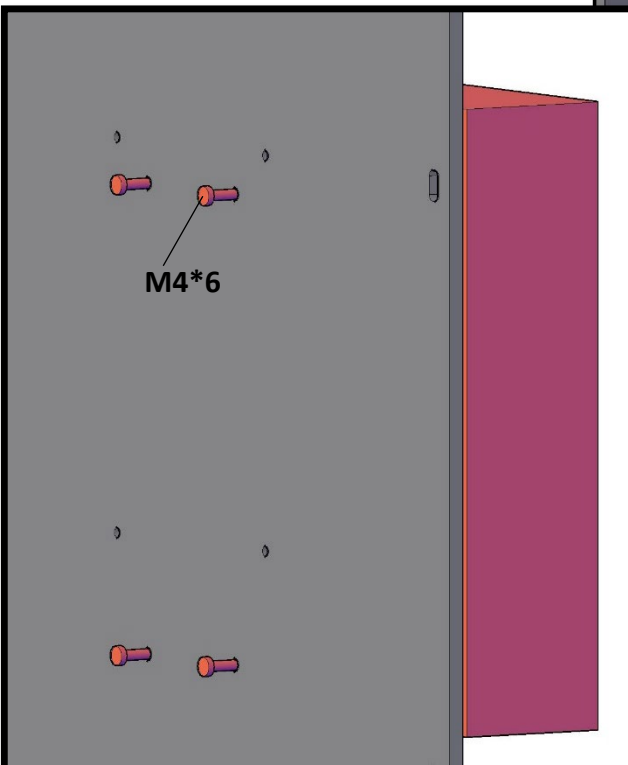


# INSTALLATION GUIDE

## -CASE(BACK)



Case (Back)	
Parts	Quantity
Board	1
50mm fan	1
Fan holder	1
M3*20	8
M3 nut	8
M4*8	8
M3 spacer (10mm)	4
M4 spacer (50mm)	4
M4*6	4



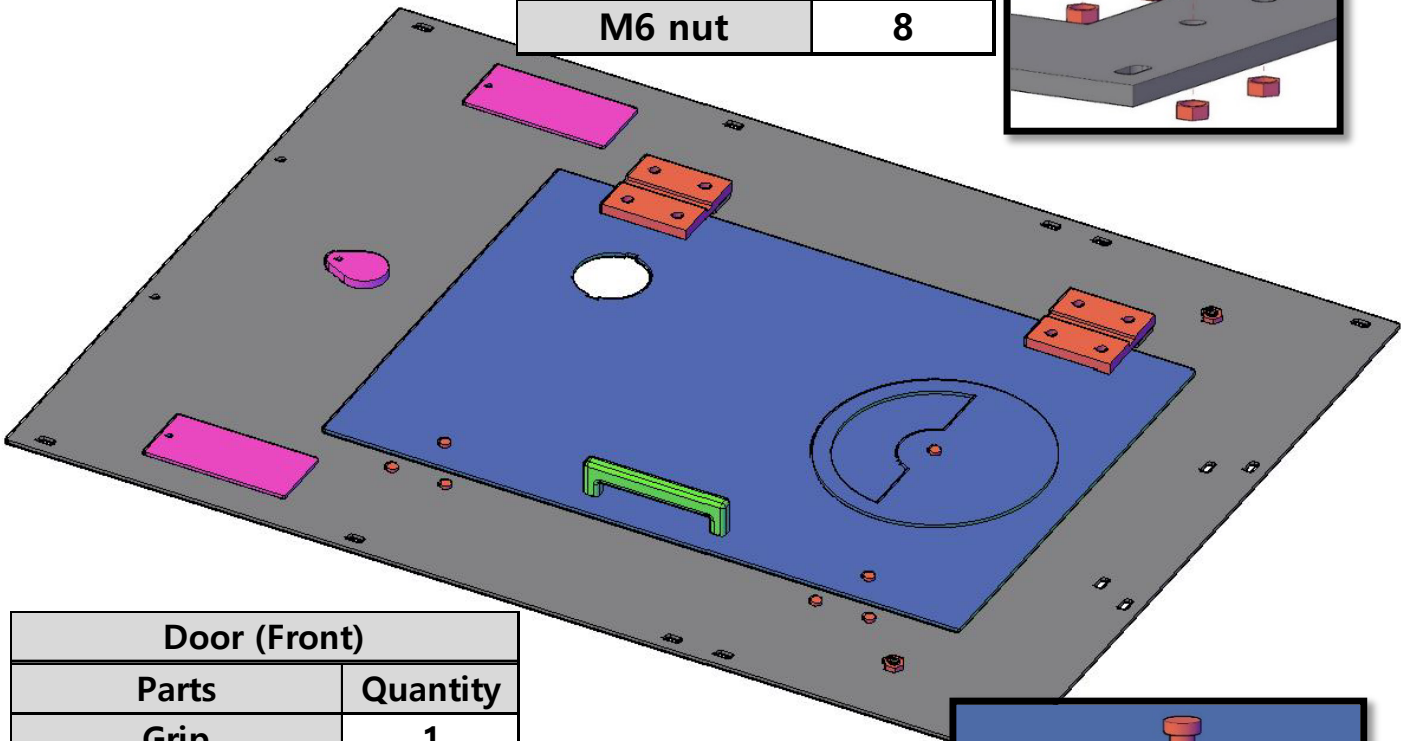
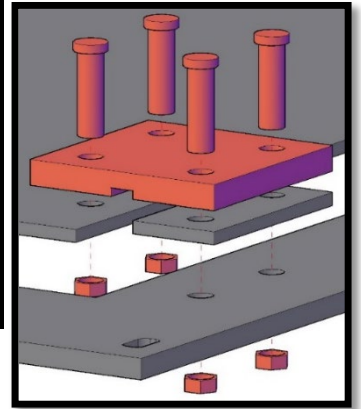




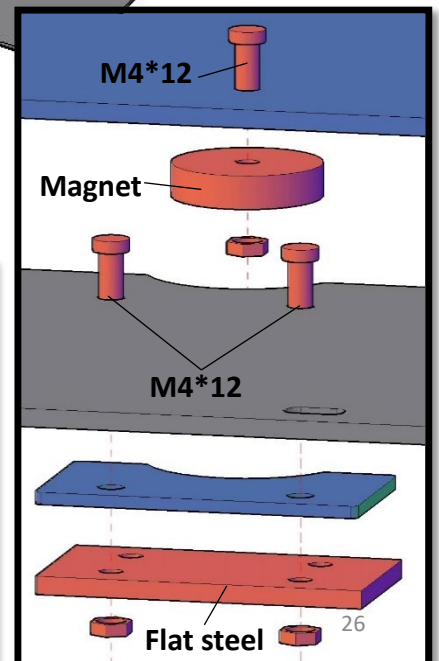
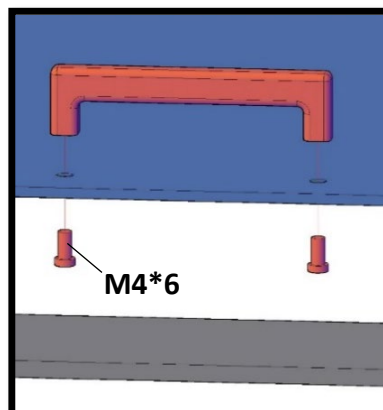
# INSTALLATION GUIDE

## -CASE(FRONT)

Hinge (Front)	
Parts	Quantity
Hinge	2
Hinge support	2
M6*20	8
M6 nut	8



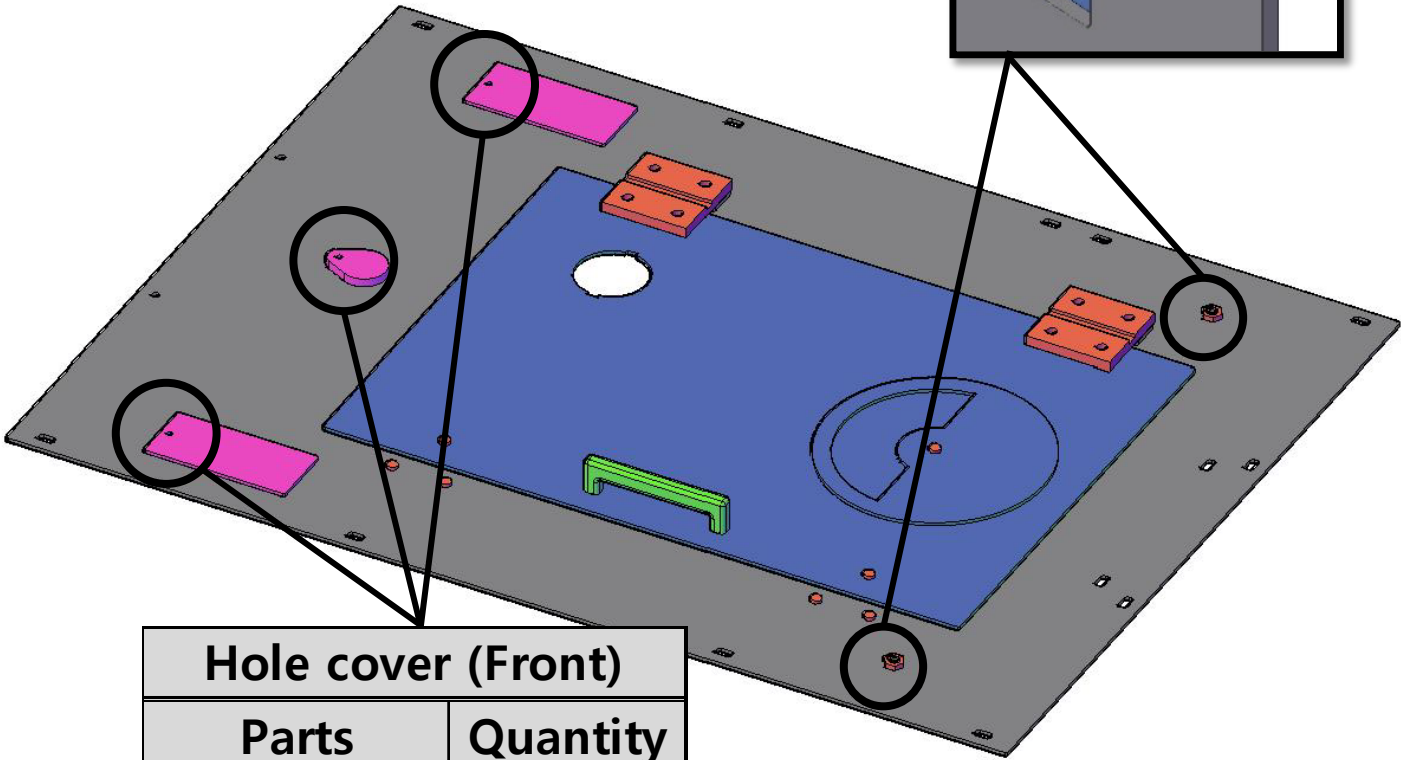
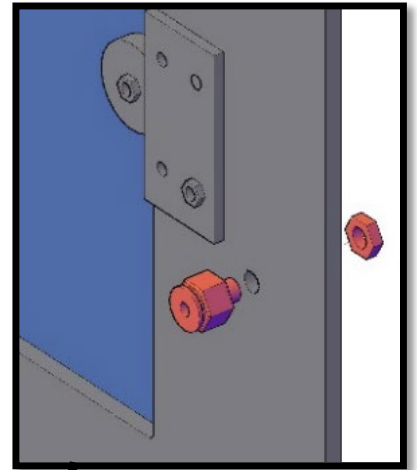
Door (Front)	
Parts	Quantity
Grip	1
M4*6	2
M4*12	6
M4 nut	6
Flat steel	2
Flat steel support	2
Magnet	2
Front hole cover	1
M3*16	1
M3 washer	2
M3 Nylon nut	1





# INSTALLATION GUIDE -CASE(FRONT)

Filament hole (Front)	
Parts	Quantity
Fitting	2
M6 nut	2



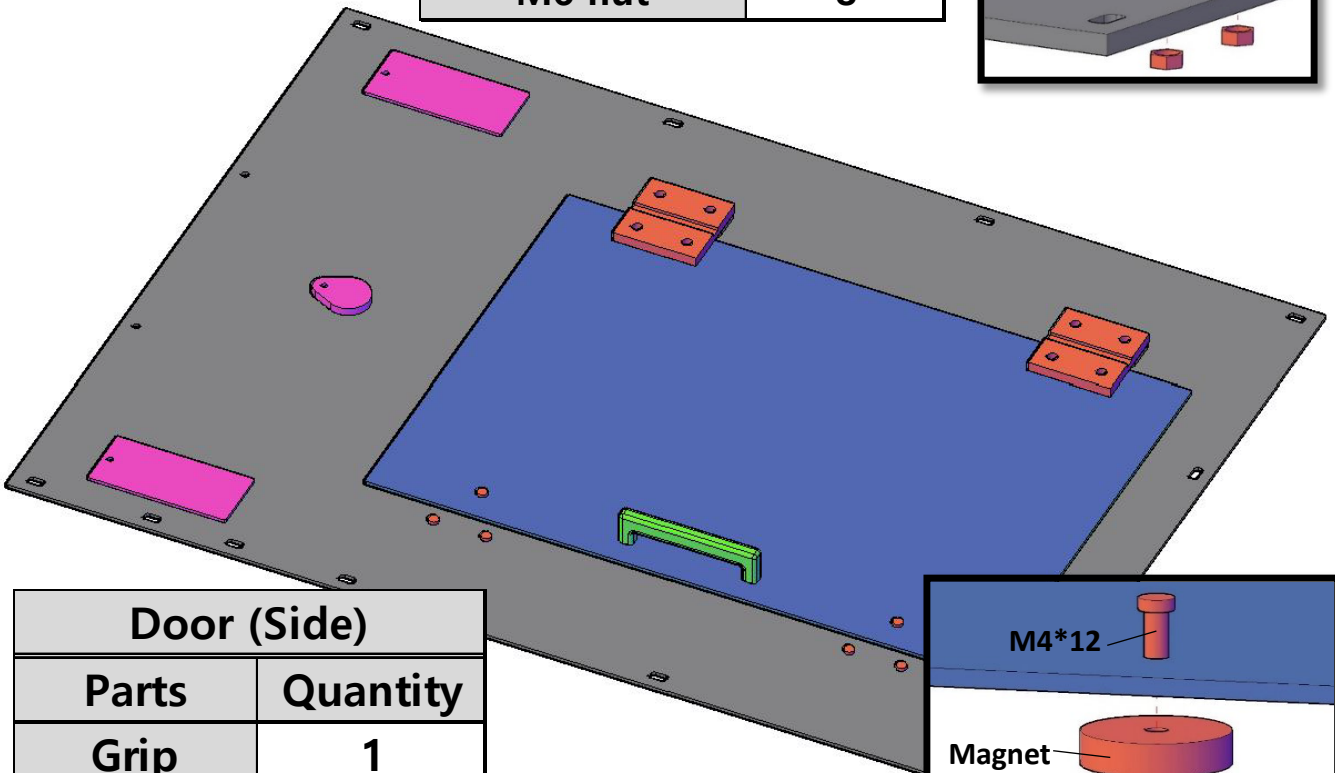
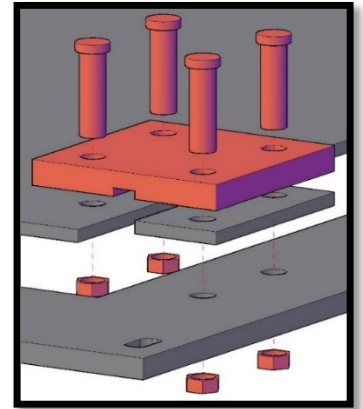
Hole cover (Front)	
Parts	Quantity
Shaft cover	1
Side cover	2
M3*12	3
M3 nut	3



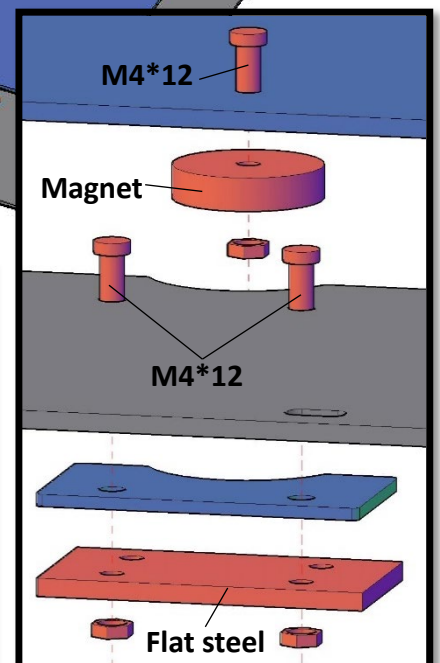
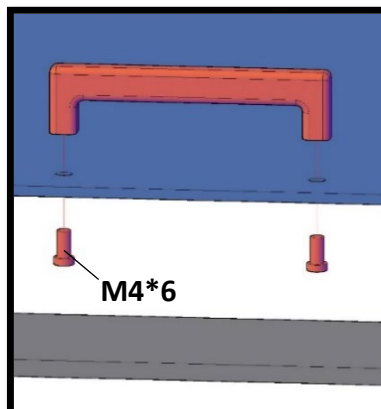
# INSTALLATION GUIDE

## -CASE(SIDE 1)

Hinge (Side)	
Parts	Quantity
Hinge	2
Hinge support	2
M6*20	8
M6 nut	8



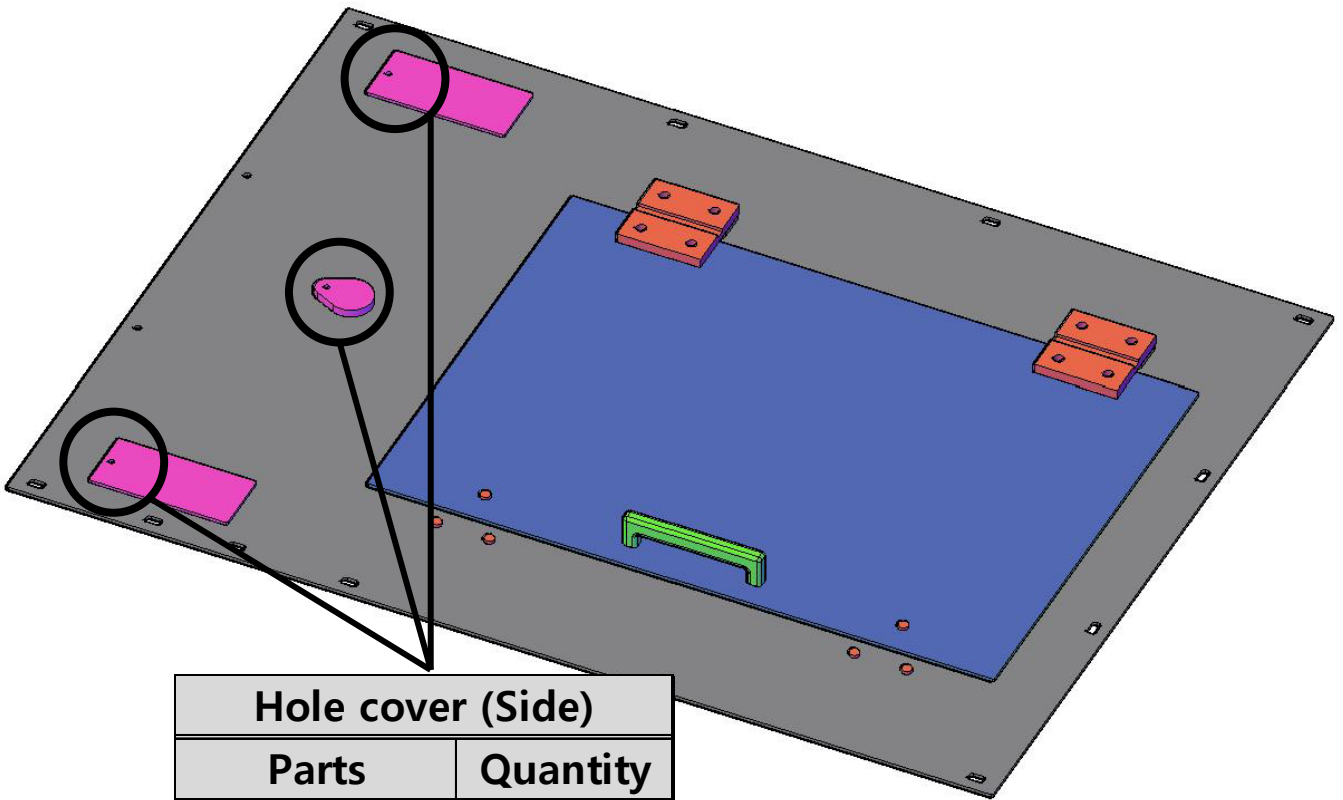
Door (Side)	
Parts	Quantity
Grip	1
M4*6	2
M4*12	6
M4 nut	6
Flat steel	2
Flat steel support	2
Magnet	2







# INSTALLATION GUIDE -CASE(SIDE 1)



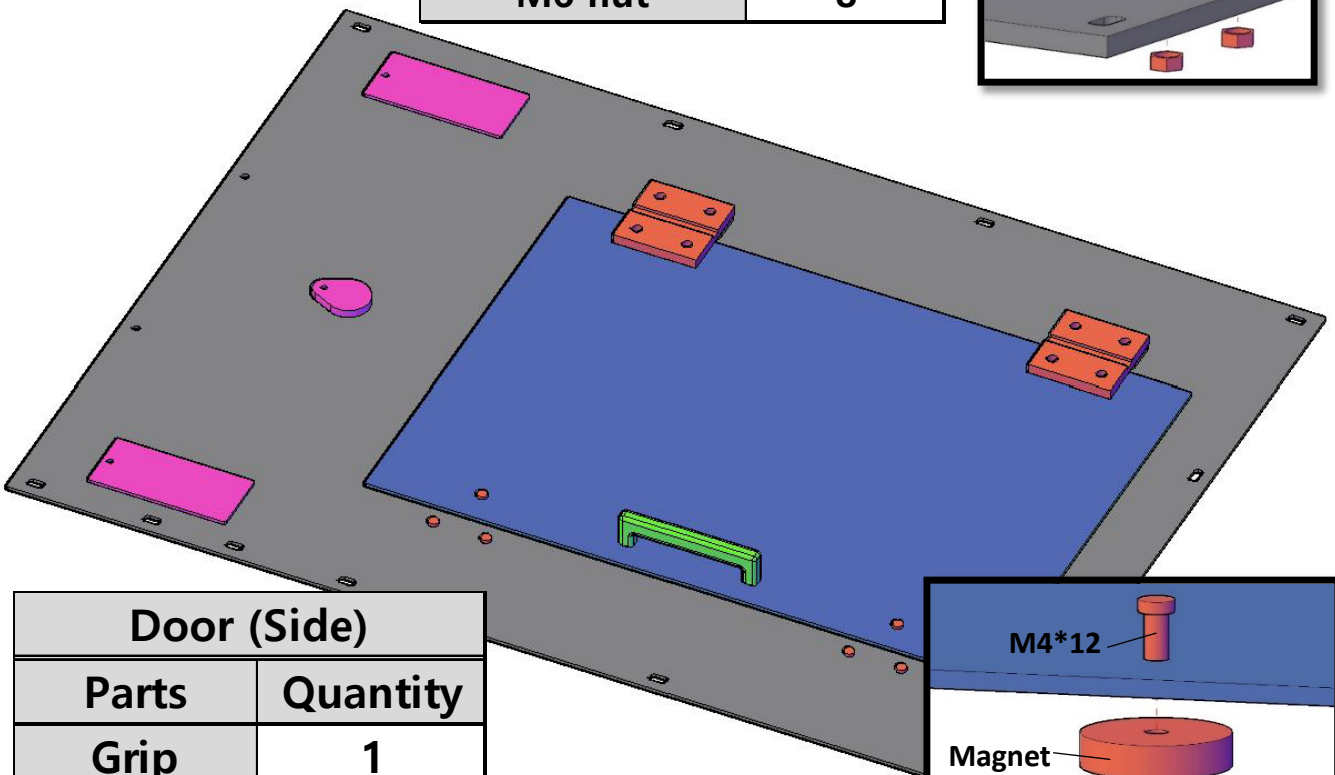
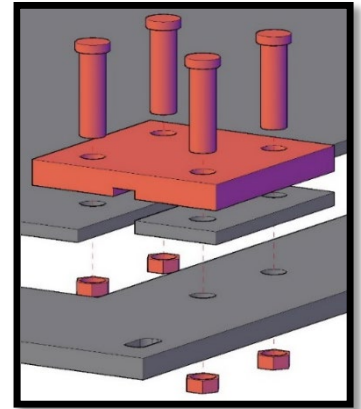
Hole cover (Side)	
Parts	Quantity
Shaft cover	1
Side cover	2
M3*12	3
M3 nut	3



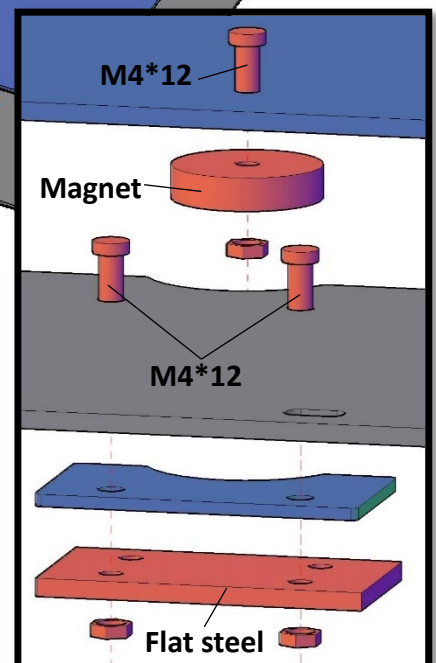
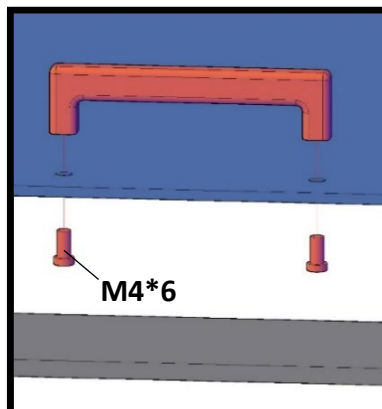
# INSTALLATION GUIDE

## -CASE(SIDE2)

Hinge (Side)	
Parts	Quantity
Hinge	2
Hinge support	2
M6*20	8
M6 nut	8

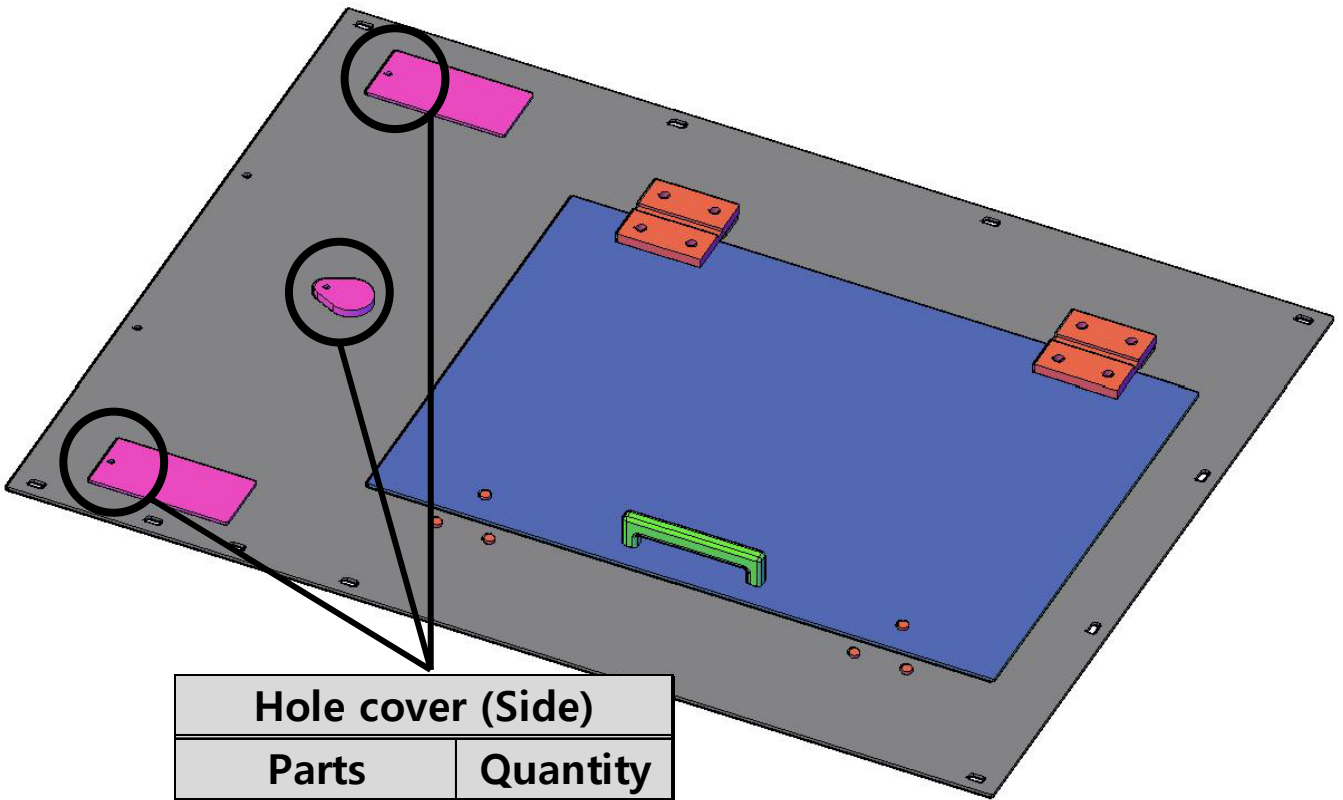


Door (Side)	
Parts	Quantity
Grip	1
M4*6	2
M4*12	6
M4 nut	6
Flat steel	2
Flat steel support	2
Magnet	2





# INSTALLATION GUIDE -CASE(SIDE2)



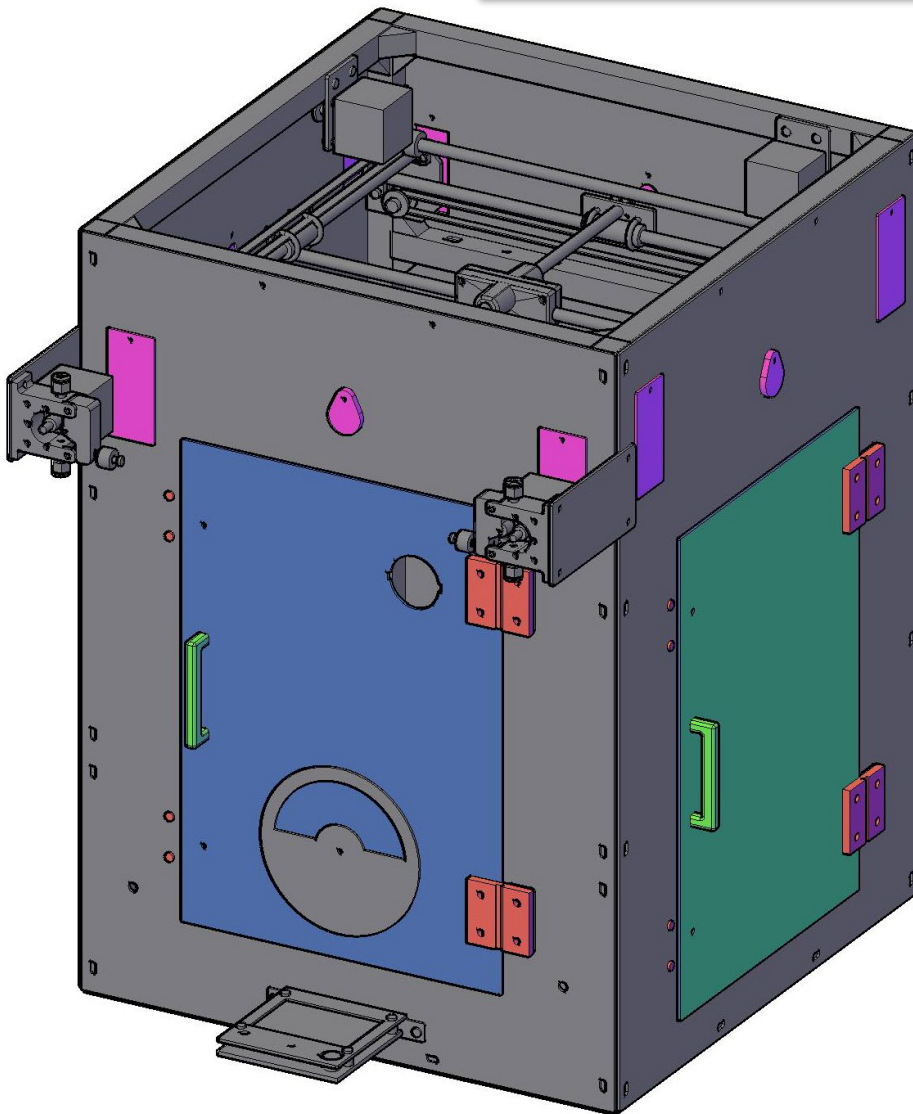
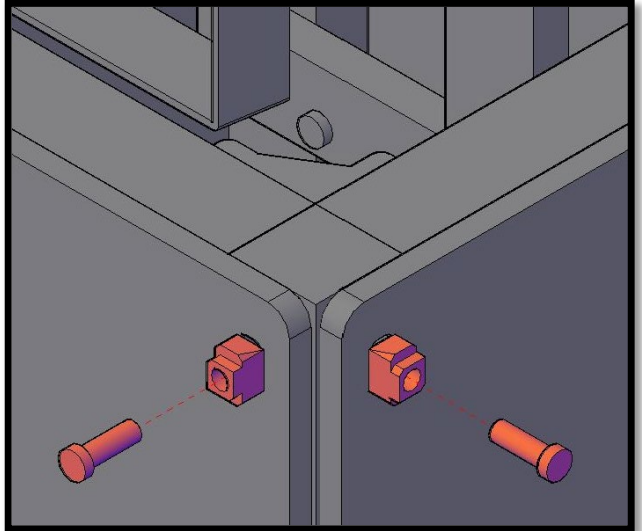
Hole cover (Side)	
Parts	Quantity
Shaft cover	1
Side cover	2
M3*12	3
M3 nut	3



# INSTALLATION GUIDE

## -CASE

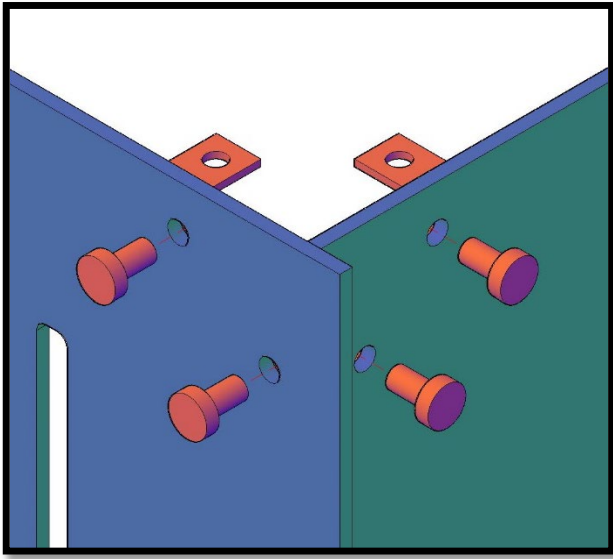
Case	
Parts	Quantity
M4*6	64
M4 T-nut	64



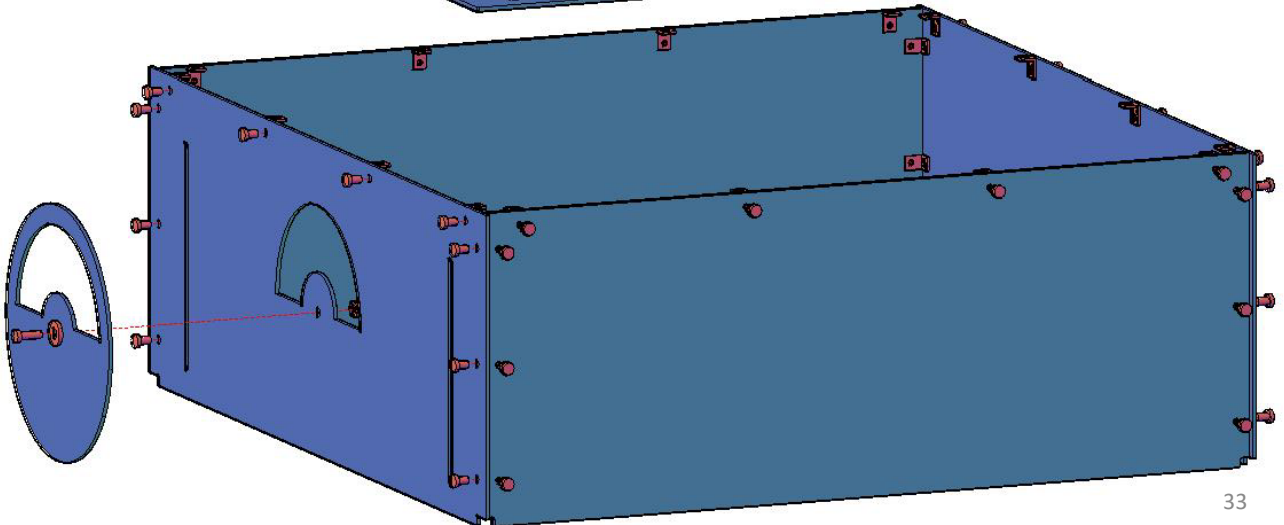
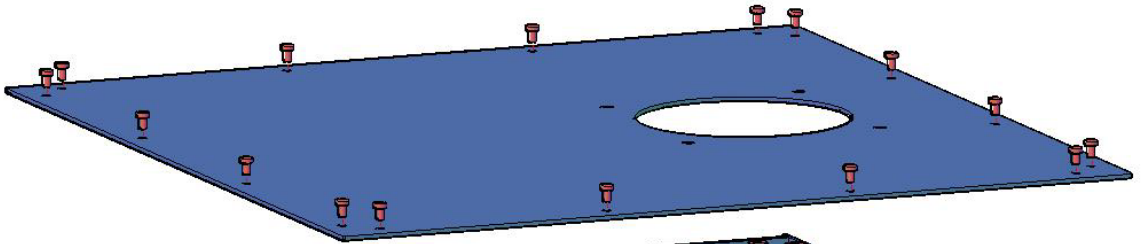
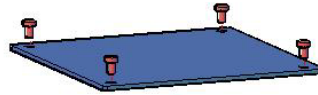


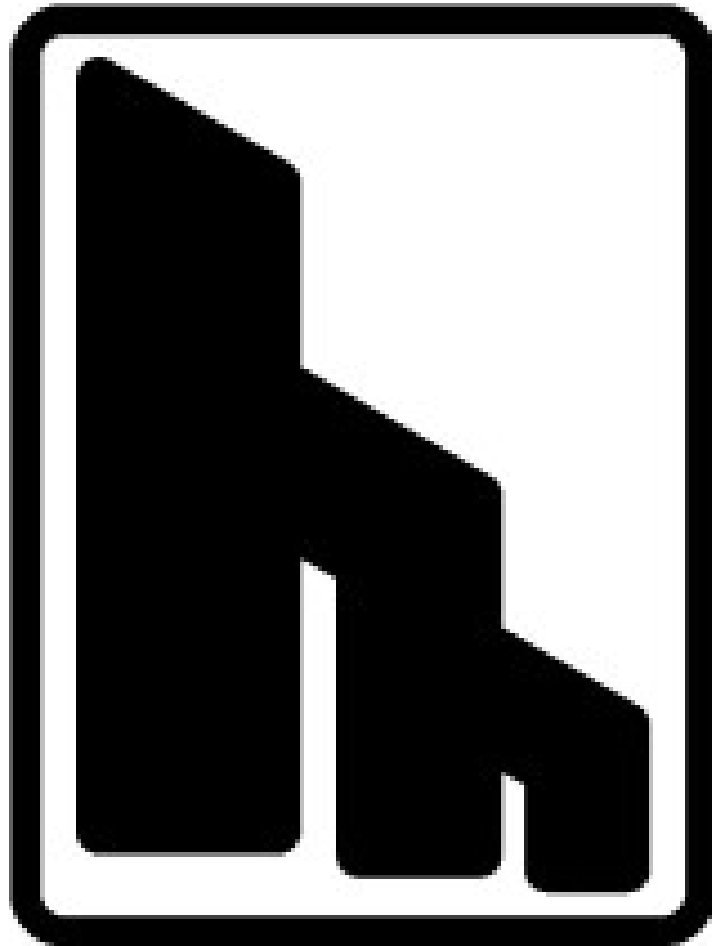
# INSTALLATION GUIDE

## - COVER



Cover	
Parts	Quantity
Cover	1 set
Bracket	28
M3*6	56
Front hole cover	1
M3*16	1
M3 washer	2
M3 Nylon nut	1





**I M E R G I N E**

**THANK YOU VERY MUCH**